

TITLE

OIL - TRANSMITTAL OF CONTINENTAL AEROSPACE TECHNOLOGIES™ SB21-03 OIL TEMPERATURE CONTROL VALVE INSPECTION

EFFECTIVITY

All airplane serial numbers for the following Cessna Models that have a Continental engine model specifications (I0550N, TSI0550C, TSI0550K, TSI0550N, TSI0F550K) using Oil Temperature Control Valve (Vernatherm) Part No. 657496.

MODEL	SERIAL NUMBERS
T240	T24000001 thru T24002146
300 (LC40-550FG)	40001 thru 40079
350 (LC42-550FG)	42001 thru 42084, 42501 thru 42569, 421001 thru 421020
400 (LC41-550FG)	41002 thru 41108, 41501 thru 41533, 41563 thru 41800, 411001 thru 411161

NOTE: 657496 Oil Temperature Control Valves manufactured between December 13, 2020 and March 11, 2021 need to be replaced.

REASON

Continental Aerospace Technologies™ identified that there is a nonconformity in Part No. 657496 Oil Temperature Control Valve manufactured between December 13, 2020 and March 11, 2021.

NOTE: If Part No. 657496 Oil Temperature Control Valve was replaced with a part that could have been shipped from Continental Motors between December 13, 2020 and March 11, 2021, your engine may also be affected.

DESCRIPTION

This service document transmits Continental Aerospace Technologies™ SB21-03, Inspection of the Oil Temperature Control Valve.

COMPLIANCE

RECOMMENDED. Refer to the Continental Aerospace Technologies™ Service Bulletin SB21-03 Oil Temperature Control Valve Inspection for compliance information.

A service document published by Textron Aviation may be recorded as *completed* in an aircraft log only when the following requirements are satisfied:

- 1) The mechanic must complete all of the instructions in the service document, including the intent therein.
- 2) The mechanic must correctly use and install all applicable parts supplied with the service document kit. Only with written authorization from Textron Aviation can substitute parts or rebuilt parts be used to replace new parts.
- 3) The mechanic or airplane owner must use the technical data in the service document only as approved and published.

July 28, 2021

SEL-79-04
Page 1 of 3

Textron Aviation Customer Service, P.O. Box 7706, Wichita, KS 67277, U.S.A. 1-316-517-5800

This document contains technical data and is subject to U.S. export regulations. This information has been exported from the United States in accordance with export administration regulations. Diversion contrary to U.S. law is prohibited. ECCN: 9E991

- 4) The mechanic or airplane owner must apply the information in the service document only to aircraft serial numbers identified in the *Effectivity* section of the document.
- 5) The mechanic or airplane owner must use maintenance practices that are identified as acceptable standard practices in the aviation industry and governmental regulations.

No individual or corporate organization other than Textron Aviation is authorized to make or apply any changes to a Textron Aviation-issued service document or flight manual supplement without prior written consent from Textron Aviation.

Textron Aviation is not responsible for the quality of maintenance performed to comply with this document, unless the maintenance is accomplished at a Textron Aviation-owned Service Center.

CONSUMABLE MATERIAL

No specialized consumable materials are required to complete this service document.

TOOLING

No specialized tooling is required to complete this service document.

REFERENCES

Applicable Model Maintenance Manual

Continental Aerospace Technologies™ Service Bulletin SB21-03, dated March 22, 2021 (or latest revision).

PUBLICATIONS AFFECTED

None.

ACCOMPLISHMENT INSTRUCTIONS

1. Review the log book for the installation of the Continental Part No. 657496, Oil Temperature Control (Vernatherm) Valve Assembly that is manufactured between December 13, 2020 and March 11, 2021.
 - A. If no entries are found, then Go to Step 7.
 - B. If entries found, then Go to Step 2.

NOTE: If part number 657496 was replaced with a part that was shipped from Continental Aerospace Technologies™ between December 13, 2020 and March 11, 2021, your engine may also be affected.
2. Prepare the airplane for maintenance.
 - A. Make sure that the airplane is electrically grounded.
 - B. Make sure that all switches are in the OFF/NORM position.
 - C. Disconnect electrical power from the airplane.
 - (1) Disconnect external electrical power.
 - (2) Disconnect the airplane battery.
 - D. Attach maintenance warning tags to the battery and external power receptacle that have "**DO NOT CONNECT ELECTRICAL POWER - MAINTENANCE IN PROGRESS**" written on them.
3. Remove the engine cowling. (Refer to the Applicable Model Maintenance Manual.)
4. Complete the Continental Aerospace Technologies™ Service Bulletin SB21-03, dated March 22, 2021.
5. Install the engine cowling. (Refer to the Applicable Model Maintenance.)
6. Remove the maintenance warning tags and connect the airplane battery.
7. Make an entry in the airplane logbook that states compliance and method of compliance with this service document.

MATERIAL INFORMATION

The part below may be necessary to complete this service document.

NEW P/N	QUAN- TITY	KEY WORD	OLD P/N	INSTRUCTIONS/ DISPOSITION
657496	1	Oil Temperature Control (Vernatherm) Valve Assembly	657496	

* Please contact a Textron Aviation Authorized Service Facility for current cost and availability of parts listed in this service document.

TITLE

OIL - TRANSMITTAL OF CONTINENTAL AEROSPACE TECHNOLOGIES™ SB21-03 OIL TEMPERATURE CONTROL VALVE INSPECTION

TO:

Aircraft Owner of the Cessna Models T240, 300 (LC40–550FG), 350 (LC42–550FG), 400 (LC41–550FG).

REASON

Continental Aerospace Technologies™ identified that there is a nonconformity in Part No. 657496 Oil Temperature Control Valve manufactured in between December 13, 2020 and March 11, 2021.

NOTE: If Part No. 657496 Oil Temperature Control Valve was replaced with a part that could have been shipped from Continental Motors between December 13, 2020 and March 11, 2021, your engine may also be affected.

NOTE: For additional information review Continental Aerospace Technologies™ Service Bulletin SB21-03 Oil Temperature Control Valve Inspection.

COMPLIANCE

RECOMMENDED. Refer to the Continental Aerospace Technologies™ Service Bulletin SB21-03 Oil Temperature Control Valve Inspection for compliance information.

NOTE: At the time of this documents publication, Continental Service Bulletin SB21-03 recommended compliance is: During the next scheduled oil change, or before next flight if experiencing oil temperature indications near or greater than the specified operating limits.

LABOR HOURS

For planning purposes only:

NOTE: For additional information, refer to the Warranty section of the Continental Aerospace Technologies™ Service Bulletin SB21-03, dated March 22, 2021 (or latest revision).

WORK PHASE	LABOR-HOURS
Inspection	0.5
Modification	2.5

MATERIAL AVAILABILITY

PART NUMBER	AVAILABILITY	COST
657496	*	*

* Please contact a Textron Aviation Authorized Service Facility for current cost and availability of parts listed in this service document.

WARRANTY

This service document is *recommended*. Eligible airplanes may qualify for parts and labor coverage to the extent noted in the *Labor Hours* and *Material Availability* sections of this document.

July 28, 2021

SEL-79-04
Page 1 of 2

Textron Aviation Customer Service, P.O. Box 7706, Wichita, KS 67277, U.S.A. 1-316-517-5800

This document contains technical data and is subject to U.S. export regulations. This information has been exported from the United States in accordance with export administration regulations. Diversion contrary to U.S. law is prohibited. ECCN: 9E991

Eligibility: Airplanes identified within the serial number effectivity of this service document must have active Engine warranty coverage on the original issue date of this document and the coverage must be active on the day the work is accomplished.

Parts Coverage: Textron Aviation-owned and Textron Aviation-authorized Service Facilities, operators, or other maintenance facilities may submit a claim for the parts required to accomplish this service document as defined in the *Material Availability* section of this document.

Labor Coverage: Textron Aviation-owned and Textron Aviation-authorized Service Facilities rated to perform maintenance on the specific model of Cessna Aircraft may submit a claim for the labor necessary to accomplish this service document as defined in the *Labor Hours* section of this document.

Credit Application: After this service document has been accomplished, a claim must be submitted to Textron Aviation within 30 days of the service document completion. Claims for compliance of this service document are to be filed as a W4 type claim.

Please submit your claim form online at ww2.txtav.com/Parts or email the completed Textron Aviation Claim Form to warranty@txtav.com. If submitted on-line a Return Authorization will be provided. If a paper claim is submitted your claim will be entered into the system and a Return Authorization will be sent to you.

The Return Authorization must accompany any required return parts (see *Material Availability*), to the point of purchase.

Parts to be returned to Textron Aviation Parts Distribution should be forwarded to:

Textron Aviation Parts Distribution
Warranty Administration
285 South Greenwich Road
Bldg B89, Docks 1-4
Wichita, KS 67206
USA

Expiration: July 28, 2022 (after this date the owner/operator assumes the responsibility for compliance costs)

Textron Aviation reserves the right to void continued airplane warranty coverage for the parts affected by this service document until the service document is accomplished.

NOTE: As a convenience, service documents are now available online to all our customers through a simple, free-of-charge registration process. If you would like to sign up, please visit the Customer Access link at www.txtavsupport.com to register.

SERVICE BULLETIN**SB21-03**

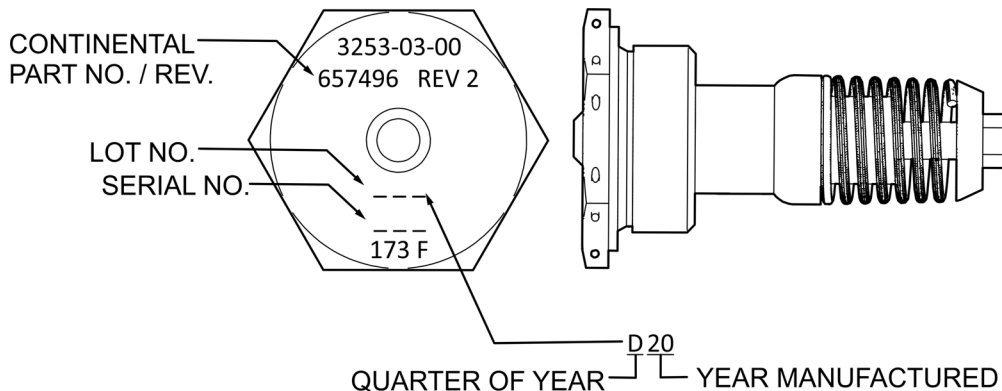
Compliance Will Enhance Safety

TECHNICAL PORTIONS
FAA APPROVED**SUBJECT:** Potential Failure of Oil Temperature Control Valve Part No. 657496**PURPOSE:** Notify customers of nonconformity in Part No. 657496 Oil Temperature Control Valve manufactured in Q4 (fourth quarter) of 2020.**COMPLIANCE:** During the next scheduled oil change, or before next flight if experiencing oil temperature indications near or greater than the specified operating limits.**MODELS****AFFECTED:** Continental Aerospace Technologies new and rebuilt engine model specifications (I0550N, TSI0550C, TSI0550K, TSI0550N, TSI0F550K) using Oil Temperature Control Valve (Vernatherm) Part No. 657496.**I. GENERAL INFORMATION**

The supplier of Continental Part No. 657496, Oil Temperature Control (Vernatherm) Valve Assembly, has identified a discrepancy in one lot of Part No. 657496. Affected units have a potential to leak internally and fail to actuate the piston assembly. Upon failing, these units will remain in the “cold” position, providing only limited oil flow through the engine oil cooler.

II. FAULTY UNIT IDENTIFICATION

The lot number is etched on the cap of the assembly below the part number in the location shown in Figure 1. Remove and replace affected Part No. 657496, Vernatherm Assembly marked with lot number **D20** (2020Q4) with a serviceable unit.

**Figure 1. Oil Temperature Control Valve****III. AFFECTED ENGINE SERIAL NUMBERS**

The listed engine serial numbers in Table 1 may have been assembled using the faulty oil temperature control valve assemblies. Inspect the affected engine serial numbers according to the instructions in Section IV. Return spare parts exhibiting lot number **D20** to Continental for a serviceable replacement or refund. If Part No. 657496 was replaced between December 13, 2020 and March 11, 2021, your engine may also be affected - consult the engine log book.

ISSUED
2021/03/22**REVISED****DOC NO REVISION**
SB21-03**PAGE**
1 of 2

Table 1. Engine Serial Numbers

Engine Model	Serial Number	Engine Model	Serial Number	Engine Model	Serial Number
R-I0550N7B ¹	1039897	TSI0550K2B	1040214	I0550N68B	1040479
R-I0550N43B ¹	1040063	TSI0550K2B	1040219	I0550N68B	1040503
R-I0550N68B ¹	1040095	R-I0550N43B ¹	1040229	TSI0550K2B	1040509
R-I0550N68B ¹	1040096	I0550N70B	1040234	I0550N70B	1040554
R-I0550N68B ¹	1040120	TSI0550K2B	1040238	I0550N70B	1040557
R-I0550N41B ¹	1040143	I0550N47B	1040283	TSI0550K2B	1040581
R-TSI0550C20B ¹	1040157	I0550N70B	1040288	I0550N43B	1040597
R-I0550N68B ¹	1040161	TSI0550K2B	1040289	TSI0550K2B	1040645
R-I0550N43B ¹	1040174	R-I0550N7B ¹	1040368	I0550N70B	1040651
I0550N70B	1040199	R-I0550N7B ¹	1040424	TSI0550K2B	1040660
TSI0550K2B	1040200	TSI0550K2B	1040459		
TSI0550K2B	1040202	I0550N43B	1040467		

1. The **R-** prefix in the Engine Model indicates the engine is **Rebuilt**.

IV. CORRECTIVE ACTION

Remove and replace the Oil Temperature Control Valve (Vernatherm) on affected engines according to the engine instructions for continued airworthiness. If oil temperature exceeds 240°F for more than 30 seconds, perform an oil change according to instructions in M-0, Standard Practice Maintenance Manual.

V. WARRANTY

The actions required to comply with this Service Document are covered, up to the Eligible Allowance provided for reimbursement, as shown below. Standard warranty practices apply. Visit the Continental web site at www.continental.aero to obtain copies of Continental Warranty Policies.

Complete and email a copy of the linked [Compliance Form](#), along with a copy of the work invoice (and a copy of the repair agency's W-9 if the repairs are accomplished by a repair facility in the Continental United States) upon completion for reimbursement. Continental reserves the right to request copies of invoices and maintenance records to verify warranty applicability.

Allowances/Reimbursements

Eligible Allowances for Reimbursement		Labor Hours ¹
1	Inspect Part No. 657496 oil temperature control valve for applicability	0.25
2	Remove and replace installed oil temperature control valve	2.75

1. at published shop rate

Contact Continental Technical Services at the phone numbers or email address listed below if you have any questions concerning the technical content of this Service Document.

1.888.826.5465 Toll Free in the United States
 +1.251.436.8299 International Callers
 email: CMTechnical@continental.aero