

REVISION TRANSMITTAL

This sheet transmits Revision 2 to SB700-25-02 which:

- A. Added "Cessna Model 700 AFM Supplement 6 Motorized Cabin Divider (if installed) (700FM-S6-02 or later)" to the Publications Affected section
- B. Added Step 6 to Update Cessna Model 700 Citation Longitude Airplane Flight Manual (700FM).

NOTE: This revision replaces Revision 1 of SB700-25-02 in its entirety.

NOTE: This transmittal sheet provides a complete description of the changes made by this revision, except for editorial changes.

REVISION COMPLIANCE

NO EFFECT. Airplanes previously modified by this service bulletin are not affected by this revision.

LOG OF REVISIONS

Original Issue	April 23,2021
Revision 1	May 14, 2021
Revision 2	June 10, 2021

TITLE

EQUIPMENT/FURNISHINGS - FORWARD DIVIDER DOOR/GARMIN INTERFACE

EFFECTIVITY**MODEL**

700 (Citation Longitude)

SERIAL NUMBERS

-0022, -0023, -0025 thru -0029, -0032

The equivalent of this service document has been incorporated on production airplanes -0033 and On.

REASON

Provides the ability to open the forward divider doors using the Garmin Touch Controller (GTC).

NOTE: Service Bulletin SB700-42-01 - Garmin G5000 Software Update System Software Version 2257.58 Original Issue or later must be completed prior to or in conjunction with this service bulletin.

DESCRIPTION

This service document provides parts and instructions to move the control from the PAX SAFETY light switch to the Garmin Touchscreen Controller.

COMPLIANCE

OPTIONAL. This service document can be accomplished at the discretion of the owner.

A service document published by Textron Aviation may be recorded as *completed* in an aircraft log only when the following requirements are satisfied:

- 1) The mechanic must complete all of the instructions in the service document, including the intent therein.
- 2) The mechanic must correctly use and install all applicable parts supplied with the service document kit. Only with written authorization from Textron Aviation can substitute parts or rebuilt parts be used to replace new parts.
- 3) The mechanic or airplane owner must use the technical data in the service document only as approved and published.
- 4) The mechanic or airplane owner must apply the information in the service document only to aircraft serial numbers identified in the *Effectivity* section of the document.
- 5) The mechanic or airplane owner must use maintenance practices that are identified as acceptable standard practices in the aviation industry and governmental regulations.

No individual or corporate organization other than Textron Aviation is authorized to make or apply any changes to a Textron Aviation-issued service document or flight manual supplement without prior written consent from Textron Aviation.

Textron Aviation is not responsible for the quality of maintenance performed to comply with this document, unless the maintenance is accomplished at a Textron Aviation-owned Service Center.

APPROVAL

Textron Aviation received FAA approval for the technical data in this publication that changes the airplane type design.

Original Issue - April 30, 2021
Revision 2 - June 10, 2021

SB700-25-02
Page 1 of 6

Textron Aviation Customer Service, P.O. Box 7706, Wichita, KS 67277, U.S.A. 1-316-517-5800

This document contains technical data and is subject to U.S. export regulations. This information has been exported from the United States in accordance with export administration regulations. Diversion contrary to U.S. law is prohibited. ECCN: 9E991

FLIGHT CREW OPERATIONS

Refer to the attached *Flight Crew Operations Summary*.

CONSUMABLE MATERIAL

No specialized consumable materials are required to complete this service document.

TOOLING

No specialized tooling is required to complete this service document.

WEIGHT AND BALANCE INFORMATION

Negligible

REFERENCES

Cessna Model 700 Maintenance Manual

PUBLICATIONS AFFECTED

Cessna Model 700 Wiring Diagram Manual

Cessna Model 700 AFM Supplement 6 Motorized Cabin Divider (if installed) (700FM-S6-02 or later)

ACCOMPLISHMENT INSTRUCTIONS

1. Prepare the airplane for maintenance.
 - A. Make sure that the airplane is electrically grounded.
 - B. Make sure that all switches are in the OFF/NORM position.
 - C. Disconnect electrical power from the airplane.
 - (1) Disconnect the airplane batteries.
 - (2) Disconnect external electrical power.
 - D. Attach maintenance warning tags to the battery and external power receptacle that have **"DO NOT CONNECT ELECTRICAL POWER - MAINTENANCE IN PROGRESS"** written on them.
2. (Refer to Figure 1, Sheet 1.) Aircraft -0022, 0023 thru -0029, do the wiring modification per wire diagram.
 - A. After wiring modification is complete, Using an indelible marker, identify circuit breaker HZ233 located on the right DC power junction box circuit breaker placard as 'FWD DIVIDER'.
3. (Refer to Figure 1, Sheet 2.) Aircraft -0032 do the wiring modification per wiring diagram.
 - A. After wiring modification is complete, Using an indelible marker, identify circuit breaker HZ233 located on the right DC power junction box circuit breaker placard as 'FWD DIVIDER'.
4. Remove the maintenance warning tags and connect the airplane batteries.
5. Do the operational check of the forward divider doors as follows:
 - A. Connect external electrical power to the aircraft. (Refer to Cessna Model 700 Maintenance Manual, Chapter 24, External Electrical Power - Maintenance Practices.)
 - B. Close the left and right forward divider doors by hand.
 - C. On the Multifunctional Display (MFD) L Garmin Touch Controller (GTC) do as follows:
 - (1) If not already done, go to the Home page.
 - (2) Select the Aircraft Systems button.
 - (3) Select the Cabin Management button.
 - (4) Select the Misc Controls button.
 - (a) Make sure the Divider Auto Open tab shows at the bottom of the MFD L GTC.

- (5) Select the Open button.
 - (a) As the left and right divider doors start to open, push the divider door safety switch.

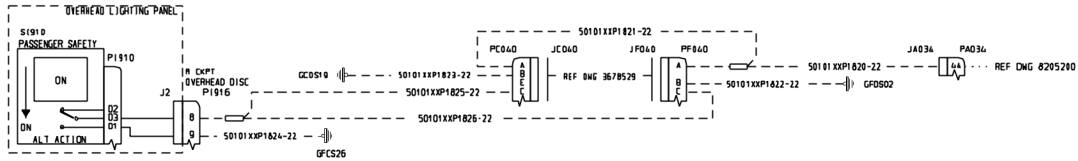
NOTE: The divider door safety switch is located in the left and right divider assemblies adjacent to the recessed divider door handle.

 - 1 Make sure the left and right divider doors stop.
 - (6) Release the divider door safety switch.
 - (a) Make sure the left and right doors move to the open position
 - (b) Make sure the left and right divider doors open and latch locked.
 - (c) Make sure the Engine Indicating and Crew Alerting System (EICAS) CABIN DIVIDER CLOSED (white) message does not show on the L PFD.
 - (7) Select the Disable button.
 - (a) Make sure the left and right divider door can be moved to the closed position.
 - (b) Make sure the Engine Indicating and Crew Alerting System (EICAS) CABIN DIVIDER CLOSED (white) message shows on the L PFD.
 - (8) Select the Enable button on the MFD L GTC.
6. Update Cessna Model 700 Citation Longitude Airplane Flight Manual (700FM).
 - A. Make sure that Supplement 700FM-S6-02 Motorized Cabin Divider (If installed) or later is inserted into the 700 Citation Longitude FAA Approved Airplane Flight Manual (700FM).
 7. Make sure the flight crew receives the *Flight Crew Operations Summary*, which shows the operational changes that are a result of the accomplishment of this service bulletin.
 8. Make an entry in the airplane logbook that states compliance and method of compliance with this service document.

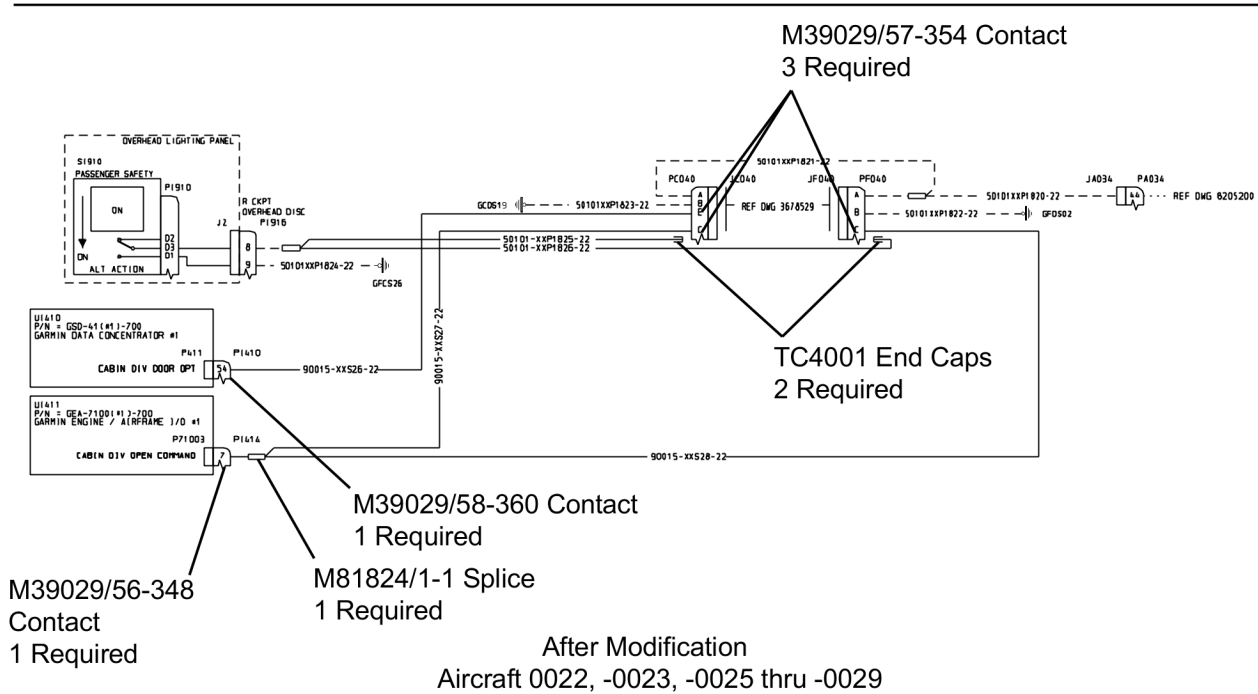
NOTE: Textron Aviation recommends that compliance with all service documents is reported to a maintenance tracking system provider.

 - Complete a record of compliance. (Maintenance Transaction Report, Log Book Entry, or other record of compliance.)
 - Put a copy of the completed record of compliance in the airplane logbook.
 - Send a copy of the completed record of compliance to the maintenance tracking system provider used.

A110183



Before Modification
 Aircraft -0022, -0023, -0025 thru -0029

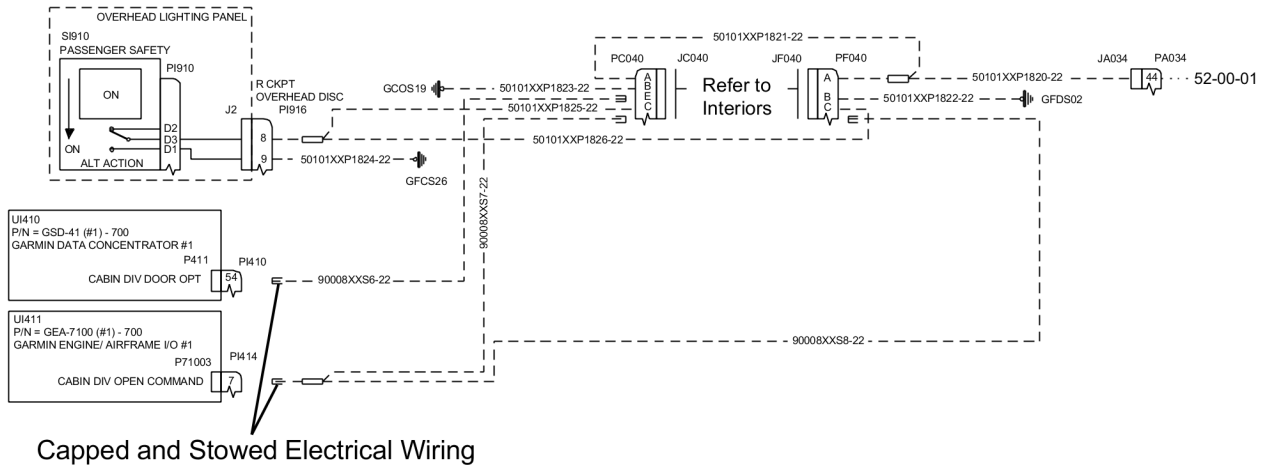


After Modification
 Aircraft 0022, -0023, -0025 thru -0029

Legend	
-----	Existing Wire
————	New Wire

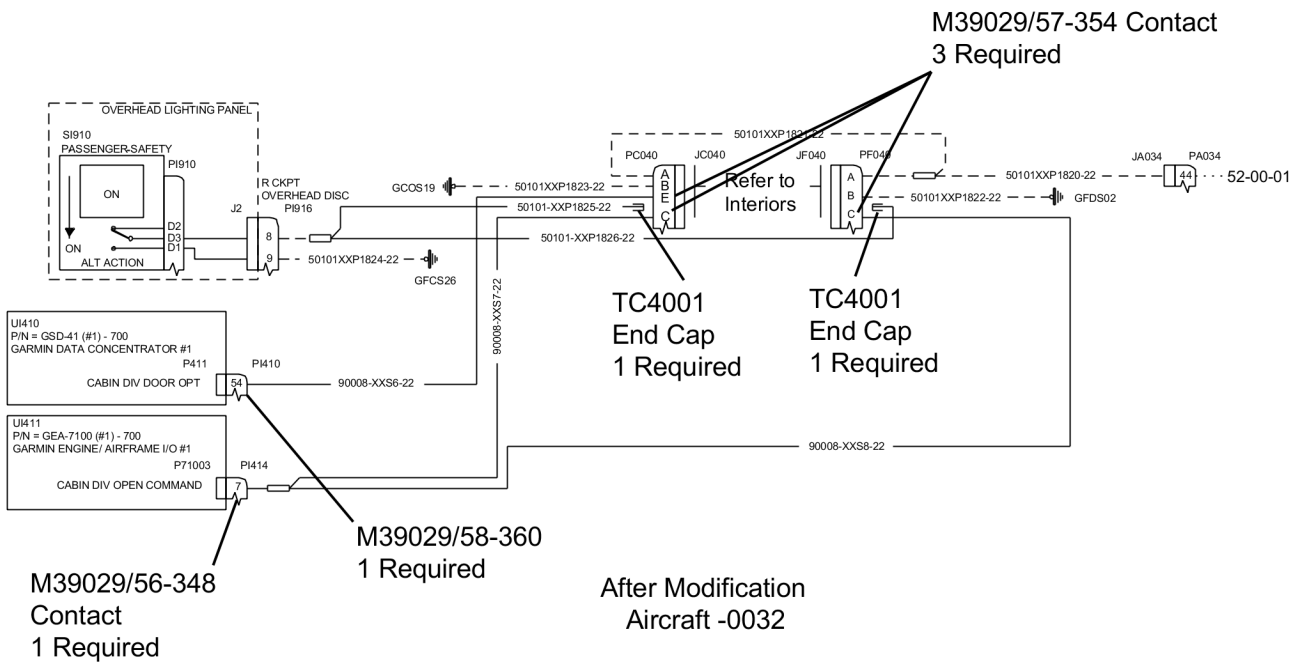
Figure 1. Divider Door/Garmin Interface Wiring Modification (Sheet 1)

A110185



Capped and Stowed Electrical Wiring

Before Modification
 Aircraft -0032



Legend	
-----	Existing Wire
—————	New Wire

Figure 1. Divider Door/Garmin Interface Wiring Modification (Sheet 2)

8290009

MATERIAL INFORMATION

Aircraft -0022 thru -0030, order the kit below to install this modification.

NEW P/N	QUANTITY	KEY WORD	INSTRUCTIONS/ DISPOSITION
SB700-25-02-0	1	Kit , consisting of the following parts:	
M81044/12-22-9	17.5 feet	Electrical Wire Marked: (90015-5200-XXS26-22)54PI410-EPC040	
M81044/12-22-9	13.5 feet	Electrical Wire Marked: (90015-5200-XXS27-22)(SP)7PI414-CPC040	
M81044/12-22-9	15.0 feet	Electrical Wire Marked: (90015-5200-XXS28-22)(SP)7PI414-CPF040	
M39029/56-348	1	Contact	
M39029/57-354	3	Contact	
M39029/58-360	1	Contact	
M81824/1-2	1	Splice	
TC4001	2	End Cap	
SB700-25-02	1	Instructions	

Aircraft -0032 order the kit below to install this modification.

NEW P/N	QUANTITY	KEY WORD	OLD P/N	INSTRUCTIONS/ DISPOSITION
SB700-25-02-01	1	Kit , consisting of the following parts:		
M39029/56-348	1	Contact		
M39029/57-354	3	Contact		
M39029/58-360	1	Contact		
TC4001	2	End Cap		
SB700-25-02	1	Instructions		

* Please contact Textron Aviation Parts Distribution for current cost and availability of parts listed in this service document. Phone at 1-800-835-4000 (Domestic) or 1-316-517-5603 (International). Send email to: parts@txtav.com.

Based on availability and lead times, parts may require advanced scheduling.

FLIGHT CREW OPERATIONS SUMMARY

SB700-25-02 - *Forward Divider Door/Garmin Interface*

This summary provides additional information for the flight crew regarding operational changes as a result of accomplishment of this service bulletin. Please remove this summary from the service bulletin and give it to the flight crew. This summary is *informational only* and does not supersede any information in the FAA-approved airplane flight manual.

- An interface has been added to the GTC to manually open the forward divider door if desired; the PAX SAFETY switch no longer opens the forward divider door.
- During operation of the aircraft, the avionics system now commands the powered cabin divider door to open when the flaps or landing gear are not in the up position.

TITLE

EQUIPMENT/FURNISHINGS - FORWARD DIVIDER/DOOR GARMIN INTERFACE

TO:

Cessna Model 700 Aircraft Owner

REASON

Provides the ability to open the forward divider doors using the Garmin Touch Controller (GTC).

COMPLIANCE

OPTIONAL. This service document can be accomplished at the discretion of the owner.

LABOR HOURS

WORK PHASE	LABOR-HOURS
Modification/Test	As Necessary

MATERIAL AVAILABILITY

The kits below are required to complete this service document.

PART NUMBER	AVAILABILITY	COST
SB700-25-02-0 (Aircraft -0022 thru -0030)	*	*
SB700-25-02-01 (Aircraft -0032)	*	*

* Please contact Textron Aviation Parts Distribution for current cost and availability of parts listed in this service document. Phone at 1-800-835-4000 (Domestic) or 1-316-517-5603 (International). Send email to: parts@txtav.com.

Based on availability and lead times, parts may require advanced scheduling.

WARRANTY

None

NOTE: As a convenience, service documents are now available online to all our customers through a simple, free-of-charge registration process. If you would like to sign up, please visit the Customer Access link at www.txtavsupport.com to register.

