

**TITLE**

EQUIPMENT/FURNISHINGS - INSTALLATION OF A CABIN THRESHOLD IN THE PASSENGER COMPARTMENT

**EFFECTIVITY****MODEL**

680A (Citation Latitude)

**SERIAL NUMBERS**

-0001 thru -0265

The equivalent of this service document has been incorporated on production airplanes -0266 and On.

**REASON**

To install a cabin threshold in the passenger compartment.

**DESCRIPTION**

This service bulletin provides parts and instructions to install a cabin threshold in the passenger compartment.

**COMPLIANCE**

OPTIONAL. This service document may be accomplished at the discretion of the owner..

A service document published by Textron Aviation may be recorded as *completed* in an aircraft log only when the following requirements are satisfied:

- 1) The mechanic must complete all of the instructions in the service document, including the intent therein.
- 2) The mechanic must correctly use and install all applicable parts supplied with the service document kit. Only with written authorization from Textron Aviation can substitute parts or rebuilt parts be used to replace new parts.
- 3) The mechanic or airplane owner must use the technical data in the service document only as approved and published.
- 4) The mechanic or airplane owner must apply the information in the service document only to aircraft serial numbers identified in the *Effectivity* section of the document.
- 5) The mechanic or airplane owner must use maintenance practices that are identified as acceptable standard practices in the aviation industry and governmental regulations.

No individual or corporate organization other than Textron Aviation is authorized to make or apply any changes to a Textron Aviation-issued service document or flight manual supplement without prior written consent from Textron Aviation.

Textron Aviation is not responsible for the quality of maintenance performed to comply with this document, unless the maintenance is accomplished at a Textron Aviation-owned Service Center.

**APPROVAL**

Textron Aviation received FAA approval for the technical data in this publication that changes the airplane type design.

**FLIGHT CREW OPERATIONS**

No Changes

June 2, 2021

SB680A-25-13  
Page 1 of 5

Textron Aviation Customer Service, P.O. Box 7706, Wichita, KS 67277, U.S.A. 1-316-517-5800

This document contains technical data and is subject to U.S. export regulations. This information has been exported from the United States in accordance with export administration regulations. Diversion contrary to U.S. law is prohibited. ECCN: 9E991

**CONSUMABLE MATERIAL**

You must use the consumable materials that follow, or their equivalent, to complete this service document.

NAME	NUMBER	MANUFACTURER	USE
Adhesive	U000701, Type I, Class B (EA9309.3NA 25 Grams)	Textron Aviation Parts Distribution 7121 Southwest Boulevard Wichita, KS 67215	To bond the NAS1835C08P Inserts.
Carpet Butter	F520549	Textron Aviation Parts Distribution 7121 Southwest Boulevard Wichita, KS 67215	To bond the carpeting after trimming.

**TOOLING**

No specialized tooling is required to complete this service document.

**WEIGHT AND BALANCE INFORMATION**

Negligible

**REFERENCES**

- Cessna Model 680A Maintenance Manual
- Cessna Model 680A Interior Maintenance Manual and Illustrated Parts Catalog
- Cessna Model 680A Structural Repair Manual

**PUBLICATIONS AFFECTED**

- Cessna Model 680A Interior Maintenance Manual and Illustrated Parts Catalog

**ACCOMPLISHMENT INSTRUCTIONS**

1. Prepare the airplane for maintenance.
  - A. Make sure that the airplane is electrically grounded.
  - B. Make sure that all switches are in the OFF/NORM position.
  - C. Disconnect electrical power from the airplane.
    - (1) Disconnect the airplane batteries.
    - (2) Disconnect external electrical power.
  - D. Attach maintenance warning tags to the batteries and external power receptacle that have **"DO NOT CONNECT ELECTRICAL POWER - MAINTENANCE IN PROGRESS"** written on them.
2. Remove and keep the carpet from Cabin Floorboard (162AC). (Refer to Cessna Model 680A Interior Maintenance Manual and Illustrated Parts Catalog, Chapter 20, Passenger Compartment.)
3. (Refer to Figure 1, View A-A). Do the modification of the Cabin Floorboard (162AC).
  - A. Remove the Cabin Floorboard (162AC). Keep the six MS27039-1-13 screws. (Refer to the Model 680A Maintenance Manual, Chapter 6, Access Plates and Panels Identification - Description and Operation.)
  - B. Drill three 0.691 inch-diameter holes in the Cabin Floorboard (162AC).
  - C. Deburr the holes that were drilled in the Cabin Floorboard (162AC).
  - D. Put the three NAS1835C08P Inserts into the drilled holes.
  - E. Use a sealant gun to inject the U000701 (EA9309.3NA) adhesive into the hole in the NAS1835C08P Insert. Make sure the adhesive comes out from the other side of the hole in the NAS1835C08P

Insert. (Refer to the Model 680A Structural Repair Manual, Chapter 51, Adhesive and Solvent Bonding.)

- F. Clean away excess adhesive with Methyl n-Propyl Ketone.
  - G. Install the Cabin Floorboard (162AC) using the kept MS27039-1-13 screws.
4. (Refer to Figure 1, Detail A). Install the 3619589-2 Cabin Threshold using the three MS24694-S49 Screws.
  5. Install the kept carpet. (Refer to Cessna Model 680A Interior Maintenance Manual and Illustrated Parts Catalog, Chapter 20, Passenger Compartment.)
  6. Trim the carpet to fit.

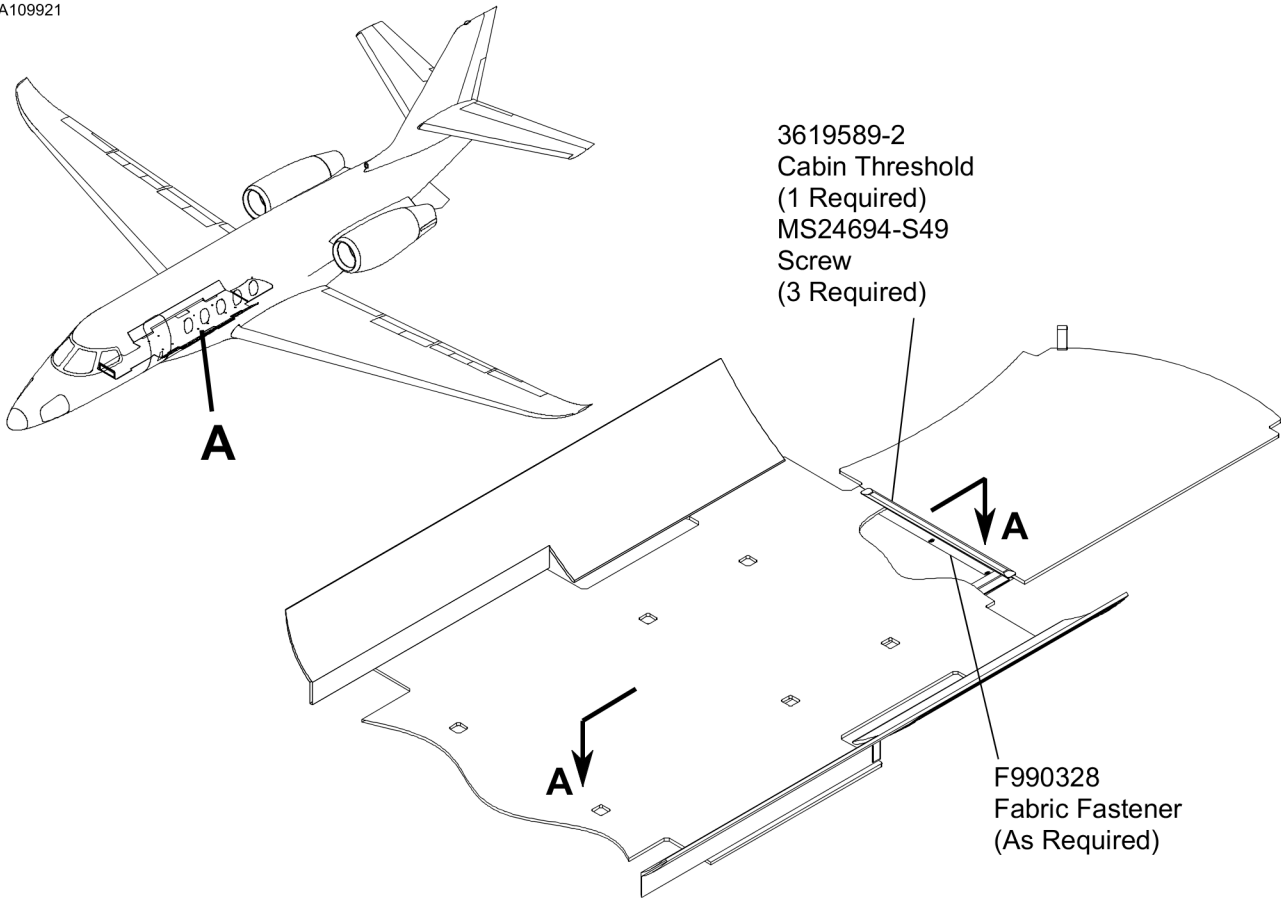
**NOTE:** After installation of the 3619589-2 Cabin Threshold the carpet will be in two pieces.

7. Apply F20549 Carpet Butter to the edges of the trimmed carpet. to prevent the carpet from fraying.
8. Install F990328 Fabric Fastener as necessary near the threshold that is a new edge.
9. Remove the maintenance warning tags and connect the airplane batteries.
10. Make an entry in the airplane logbook that states compliance and method of compliance with this service document.

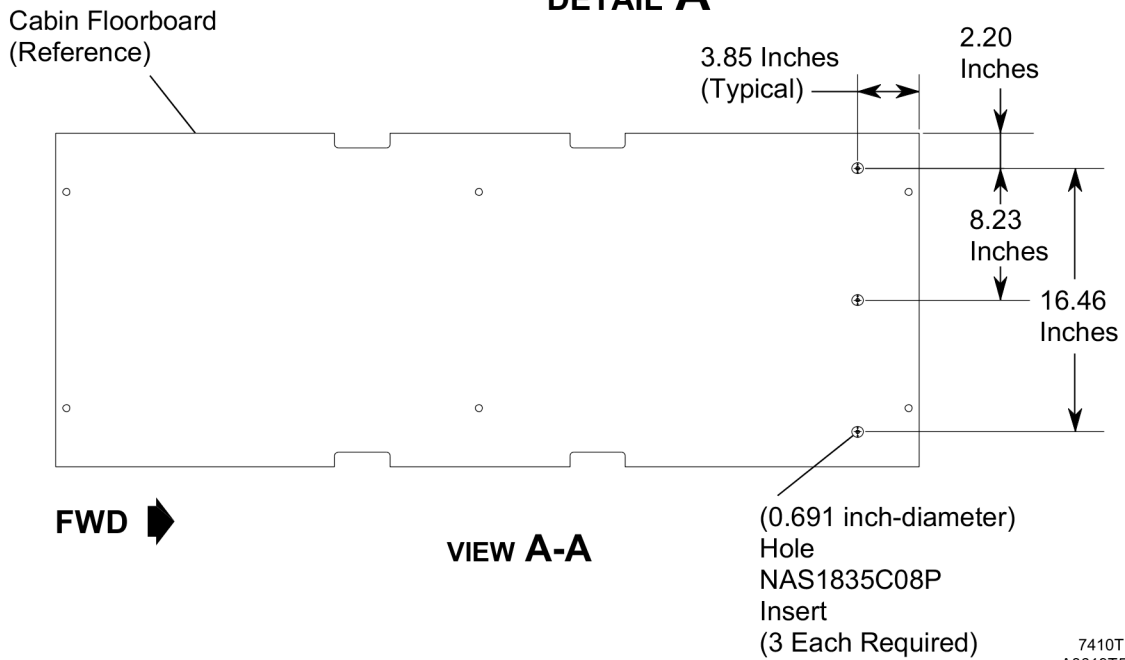
**NOTE:** Textron Aviation recommends that compliance with all service documents is reported to a maintenance tracking system provider.

- Complete a record of compliance. (Maintenance Transaction Report, Log Book Entry, or other record of compliance.)
- Put a copy of the completed record of compliance in the airplane logbook.
- Send a copy of the completed record of compliance to the maintenance tracking system provider used.

A109921



**DETAIL A**



7410T1002  
 A3619T589-1  
 AA3690T162-1

Figure 1. Cabin Threshold Installation (Sheet 1)

**MATERIAL INFORMATION**

Order the kit/parts below to install this modification.

NEW P/N	QUANTITY	KEY WORD	OLD P/N	INSTRUCTIONS/ DISPOSITION
<b>SB680A-25-13</b>	1	<b>Kit</b> , consisting of the following parts:		
F990328	24 Inches	Fabric Fastener		
MS24694-S49	3	Screw		
NAS1835C08P	3	Insert		
3619589-2	1	Cabin Threshold		
SB680A-25-13	1	Instructions		

\* Please contact Textron Aviation Parts Distribution for current cost and availability of parts listed in this service document. Phone at 1-800-835-4000 (Domestic) or 1-316-517-5603 (International). Send email to: [parts@txtav.com](mailto:parts@txtav.com).

Based on availability and lead times, parts may require advanced scheduling.



**TITLE**

EQUIPMENT/FURNISHINGS - INSTALLATION OF A CABIN THRESHOLD IN THE PASSENGER COMPARTMENT

**TO:**

Cessna Model 680A Aircraft Owner

**REASON**

To install a cabin threshold in the passenger compartment.

**COMPLIANCE**

OPTIONAL. This service document may be accomplished at the discretion of the owner.

**LABOR HOURS**

WORK PHASE	LABOR-HOURS
Modification	As Required

**MATERIAL AVAILABILITY**

Order the kit below to complete this service document.

PART NUMBER	AVAILABILITY	COST
SB680A-25-13	*	*

\* Please contact Textron Aviation Parts Distribution for current cost and availability of parts listed in this service document. Phone at 1-800-835-4000 (Domestic) or 1-316-517-5603 (International). Send email to: [parts@txtav.com](mailto:parts@txtav.com).

Based on availability and lead times, parts may require advanced scheduling.

**WARRANTY**

None

**NOTE:** As a convenience, service documents are now available online to all our customers through a simple, free-of-charge registration process. If you would like to sign up, please visit the Customer Access link at [www.txtavsupport.com](http://www.txtavsupport.com) to register.

