

**TITLE**

HYDRAULIC POWER - DRAIN HOSE T-FITTING INSPECTION IN AFT FAIRING HYDRAULIC INSTALLATION

**EFFECTIVITY**

MODEL	SERIAL NUMBERS
525C (CJ4)	-0004 thru -0345

**REASON**

Extra drain hose may have been added to the T-fitting in the aft fairing hydraulic installation.

**DESCRIPTION**

This service letter provides instructions to do an inspection of the drain hose T-fitting in the aft fairing hydraulic installation and if necessary, remove the tubing that was added to the T-fitting.

**COMPLIANCE**

RECOMMENDED. This service document should be accomplished at a scheduled maintenance period or inspection.

A service document published by Textron Aviation may be recorded as *completed* in an aircraft log only when the following requirements are satisfied:

- 1) The mechanic must complete all of the instructions in the service document, including the intent therein.
- 2) The mechanic must correctly use and install all applicable parts supplied with the service document kit. Only with written authorization from Textron Aviation can substitute parts or rebuilt parts be used to replace new parts.
- 3) The mechanic or airplane owner must use the technical data in the service document only as approved and published.
- 4) The mechanic or airplane owner must apply the information in the service document only to aircraft serial numbers identified in the *Effectivity* section of the document.
- 5) The mechanic or airplane owner must use maintenance practices that are identified as acceptable standard practices in the aviation industry and governmental regulations.

No individual or corporate organization other than Textron Aviation is authorized to make or apply any changes to a Textron Aviation-issued service document or flight manual supplement without prior written consent from Textron Aviation.

Textron Aviation is not responsible for the quality of maintenance performed to comply with this document, unless the maintenance is accomplished at a Textron Aviation-owned Service Center.

**APPROVAL**

Textron Aviation received FAA approval for the technical data in this publication that changes the airplane type design.

**CONSUMABLE MATERIAL**

No specialized consumable materials are required to complete this service document.

**TOOLING**

No specialized tooling is required to complete this service document.

May 19, 2021

SL525C-29-01  
Page 1 of 3

Textron Aviation Customer Service, P.O. Box 7706, Wichita, KS 67277, U.S.A. 1-316-517-5800

This document contains technical data and is subject to U.S. export regulations. This information has been exported from the United States in accordance with export administration regulations. Diversion contrary to U.S. law is prohibited. ECCN: 9E991

**REFERENCES**

Cessna Model 525C Maintenance Manual

**PUBLICATIONS AFFECTED**

None.

**ACCOMPLISHMENT INSTRUCTIONS**

1. Prepare the airplane for maintenance.
  - A. Make sure that the airplane is electrically grounded.
  - B. Make sure that all switches are in the OFF/NORM position.
  - C. Disconnect electrical power from the airplane.
    - (1) Disconnect the airplane battery.
    - (2) Disconnect external electrical power.
  - D. Attach maintenance warning tags to the battery and external power receptacle that have "**DO NOT CONNECT ELECTRICAL POWER - MAINTENANCE IN PROGRESS**" written on them.
2. Remove the fuselage fairing panel 165AC to get access to the 7117430-39 Tube Weld Assembly at FS 404.00. (Refer to the Cessna Model 525C Maintenance Manual, Chapter 6, Access Plates and Panels Identification - Description and Operation).
3. Make sure there is no tubing attached to the 7117430-39 Tube Weld Assembly.

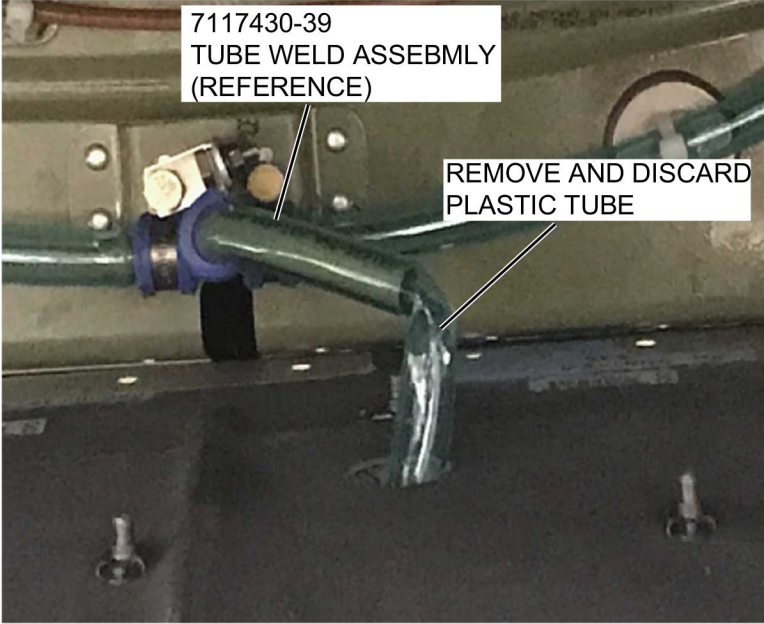
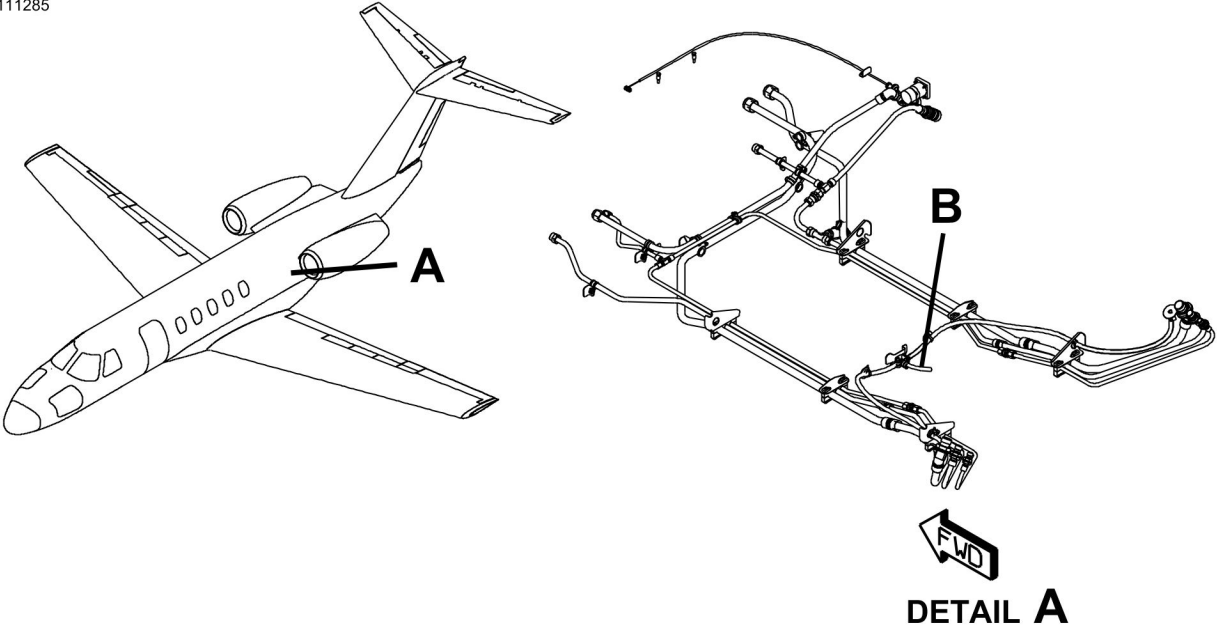
**CAUTION:** Do not install any plastic tube to the down spout of the 7117430-39 Tube Weld Assembly.

- A. (Refer to Figure 1, Detail B). Remove and discard, if any plastic tubing is attached to the 7117430-39 Tube Weld Assembly.
4. Install the fuselage fairing panel 165AC. (Refer to the Cessna Model 525C Maintenance Manual, Chapter 6, Access Plates and Panels Identification - Description and Operation).
5. Remove the maintenance warning tags and connect the airplane battery.
6. Make an entry in the airplane logbook that states compliance and method of compliance with this service document.

**NOTE:** Textron Aviation recommends that compliance with all service documents is reported to a maintenance tracking system provider.

- Complete a record of compliance. (Maintenance Transaction Report, Log Book Entry, or other record of compliance.)
- Put a copy of the completed record of compliance in the airplane logbook.
- Send a copy of the completed record of compliance to the maintenance tracking system provider used.

A111285



DETAIL B

Figure 1. Lower Hinge Bracket Hardware Inspection (Sheet 1)

6310T1001  
A7117430-42



**TITLE**

HYDRAULIC POWER - DRAIN HOSE T-FITTING INSPECTION IN AFT FAIRING HYDRAULIC INSTALLATION

**EFFECTIVITY****MODEL**

525C (CJ4)

**SERIAL NUMBERS**

-0004 thru -0345

**REASON**

Extra drain hose may have been added to the T-fitting in the aft fairing hydraulic installation.

**DESCRIPTION**

This service letter provides instructions to do an inspection of the drain hose T-fitting in aft fairing hydraulic installation and if necessary, remove the tubing that was added to T-fitting.

**COMPLIANCE**

RECOMMENDED. This service document should be accomplished at a scheduled maintenance period or inspection.

**LABOR HOURS****WORK PHASE**

Inspection

**MAN-HOURS**

2.0

**MATERIAL AVAILABILITY**

No parts are required to complete this service document.

**WARRANTY**

Eligible airplanes exhibiting conditions described in this service document may demonstrate improved operation by incorporation of the work described herein..

This service document is *recommended*. Eligible airplanes may qualify for parts and labor coverage to the extent noted in the *Labor Hours* and *Material Availability* sections of this document.

May 19, 2021

SL525C-29-01  
Page 1 of 2

Textron Aviation Customer Service, P.O. Box 7706, Wichita, KS 67277, U.S.A. 1-316-517-5800

This document contains technical data and is subject to U.S. export regulations. This information has been exported from the United States in accordance with export administration regulations. Diversion contrary to U.S. law is prohibited. ECCN: 9E991

**Eligibility:** Airplanes identified within the serial number effectivity of this service document must have active Airframe warranty coverage on the original issue date of this document and the coverage must be active on the day the work is accomplished.

**Parts Coverage:** Textron Aviation-owned and Textron Aviation-authorized Service Facilities, operators, or other maintenance facilities may submit a claim for the parts required to accomplish this service document as defined in the *Material Availability* section of this document.

**Labor Coverage:** Textron Aviation-owned and Textron Aviation-authorized Service Facilities rated to perform maintenance on the specific model of Cessna Aircraft may submit a claim for the labor necessary to accomplish this service document as defined in the *Labor Hours* section of this document.

**Credit Application:** After this service document has been accomplished, a claim must be submitted to Textron Aviation within 30 days of the service document completion. Claims for compliance of this service document are to be filed as a W4 type claim.

Please submit your claim form online at [ww2.txtav.com/Parts](http://ww2.txtav.com/Parts) or email the completed Textron Aviation Claim Form to [warranty@txtav.com](mailto:warranty@txtav.com). If submitted on-line a Return Authorization will be provided. If a paper claim is submitted your claim will be entered into the system and a Return Authorization will be sent to you.

The Return Authorization must accompany any required return parts (see *Material Availability*), to the point of purchase.

Parts to be returned to Textron Aviation Parts Distribution should be forwarded to:

Textron Aviation Parts Distribution  
Warranty Administration  
285 South Greenwich Road  
Bldg B89, Docks 1-4  
Wichita, KS 67206  
USA

**Expiration:** May 19, 2023

Textron Aviation reserves the right to void continued airplane warranty coverage for the parts affected by this service document until the service document is accomplished.

**NOTE:** As a convenience, service documents are now available online to all our customers through a simple, free-of-charge registration process. If you would like to sign up, please visit the Customer Access link at [www.txtavsupport.com](http://www.txtavsupport.com) to register.