

TITLE

NAVIGATION - GDL 69 SXM DATA LINK INSTALLATION

EFFECTIVITY**MODEL**

525 (Citation M2)

SERIAL NUMBERS

-0800 thru -1047

NOTE: SB525-34-97, Navigation - Garmin Software Update to Version 4.8.11, must be performed prior to or in conjunction with this service bulletin.

NOTE: Textron Aviation-owned or Textron Aviation-authorized Service Centers are the only facilities that can complete this service document.

REASON

To install the GDL 69 SXM Data Link option on the airplane.

DESCRIPTION

This service document provides parts and instructions to install the GDL 69 SXM Data Link option.

COMPLIANCE

OPTIONAL. This service document can be accomplished at the discretion of the owner.

A service document published by Textron Aviation may be recorded as *completed* in an aircraft log only when the following requirements are satisfied:

- 1) The mechanic must complete all of the instructions in the service document, including the intent therein.
- 2) The mechanic must correctly use and install all applicable parts supplied with the service document kit. Only with written authorization from Textron Aviation can substitute parts or rebuilt parts be used to replace new parts.
- 3) The mechanic or airplane owner must use the technical data in the service document only as approved and published.
- 4) The mechanic or airplane owner must apply the information in the service document only to aircraft serial numbers identified in the *Effectivity* section of the document.
- 5) The mechanic or airplane owner must use maintenance practices that are identified as acceptable standard practices in the aviation industry and governmental regulations.

No individual or corporate organization other than Textron Aviation is authorized to make or apply any changes to a Textron Aviation-issued service document or flight manual supplement without prior written consent from Textron Aviation.

Textron Aviation is not responsible for the quality of maintenance performed to comply with this document, unless the maintenance is accomplished at a Textron Aviation-owned Service Center.

APPROVAL

Textron Aviation received FAA approval for the technical data in this publication that changes the airplane type design.

March 26, 2021

SB525-34-106
Page 1 of 5

Textron Aviation Customer Service, P.O. Box 7706, Wichita, KS 67277, U.S.A. 1-316-517-5800

This document contains technical data and is subject to U.S. export regulations. This information has been exported from the United States in accordance with export administration regulations. Diversion contrary to U.S. law is prohibited. ECCN: 9E991

FLIGHT CREW OPERATIONS

No Changes

CONSUMABLE MATERIAL

No specialized consumable materials are required to complete this service document.

TOOLING

No specialized tooling is required to complete this service document.

WEIGHT AND BALANCE INFORMATION

Negligible

REFERENCES

Cessna Model 525 (0685 and 0800 and On) Maintenance Manual

PUBLICATIONS AFFECTED

Cessna Model 525 (0685 and 0800 and On) Maintenance Manual

ACCOMPLISHMENT INSTRUCTIONS

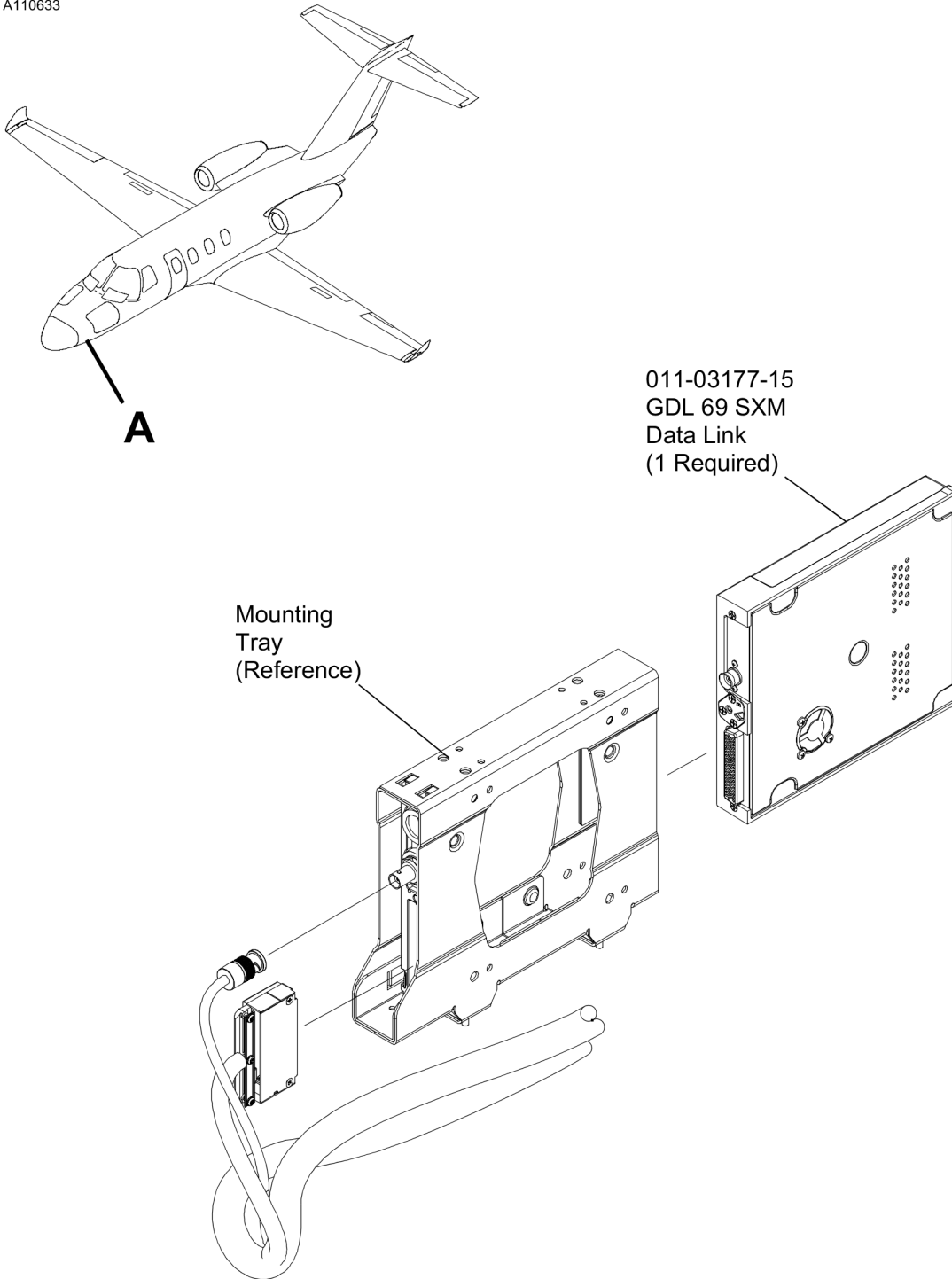
1. Prepare the airplane for maintenance.
 - A. Make sure that the airplane is electrically grounded.
 - B. Make sure that all switches are in the OFF/NORM position.
 - C. Disconnect electrical power from the airplane.
 - (1) Disconnect the airplane batteries.
 - (2) Disconnect external electrical power.
 - D. Attach maintenance warning tags to the batteries and external power receptacle that have **"DO NOT CONNECT ELECTRICAL POWER - MAINTENANCE IN PROGRESS"** written on them.
2. Remove the current 011-00987-00 GDL 69 HW SXM Data Link and return to Textron Aviation for exchange. (Refer to the Model 525 (0685 and 0800 and On) Maintenance Manual), Chapter 34, Garmin GDL 69A/69A SXM Data Link System - Maintenance Practices.)
3. Install the new 011-03177-15 GDL 69 HW SXM Data Link. (Refer to the Model 525 (0685 and 0800 and On) Maintenance Manual), Chapter 34, Garmin GDL 69A/69A SXM Data Link System - Maintenance Practices.)
4. Remove the maintenance warning tags and connect the airplane battery.
5. Download the GDL69 SXM option.
 - A. The GDL69 SXM option is loaded from the Garmin V4.8 Base Software Card.
NOTE: The Garmin V4.8 Base Software Card is loose equipment and is located in the airplane.
 - B. Do the Airplane Options Installation procedures. (Refer to the Model 525 (0685 and 0800 and On) Maintenance Manual), Chapter 34, Garmin G3000 Integrated Avionics System - Adjustment/Test (Airplanes with Software Version 4.8 or later.)
6. Do the XM Weather operational test. (Refer to the Model 525 (0685 and 0800 and On) Maintenance Manual), Chapter 34, Garmin GDL 69A/69A SXM Data Link System - Adjustment/Test.)
7. Do the XM Radio operational test. (Refer to the Model 525 (0685 and 0800 and On) Maintenance Manual), Chapter 34, Garmin GDL 69A/69A SXM Data Link System - Adjustment/Test.)

8. Make an entry in the airplane logbook that states compliance and method of compliance with this service document.

NOTE: Textron Aviation recommends that compliance with all service documents is reported to a maintenance tracking system provider.

- Complete a record of compliance. (Maintenance Transaction Report, Log Book Entry, or other record of compliance.)
- Put a copy of the completed record of compliance in the airplane logbook.
- Send a copy of the completed record of compliance to the maintenance tracking system provider used.

A110633



011-03177-15
GDL 69 SXM
Data Link
(1 Required)

Mounting
Tray
(Reference)

DETAIL A

Figure 1. (Sheet 1)

6310T1168
A6318T1931

MATERIAL INFORMATION

Order the kit/parts below to install this modification.

NEW P/N	QUAN- TITY	KEY WORD	OLD P/N	INSTRUCTIONS/ DISPOSITION
011-03177-15	1	GDL 69 SXM Datalink	011-00987-00	Return to Textron Aviation for exchange.

The existing GDL 69 SXM Datalink may be returned to Textron Aviation Parts Distribution, Warranty Administration, 285 South Greenwich Road, Bldg B89, Docks 1-4, Wichita, KS 67206, USA, and exchanged for an upgraded unit. Due to limited availability, advance scheduling is required, please expedite the return of the removed part.

* Please contact Textron Aviation Parts Distribution for current cost and availability of parts listed in this service document. Phone at 1-800-835-4000 (Domestic) or 1-316-517-5603 (International). Send email to: parts@txtav.com.

Based on availability and lead times, parts may require advanced scheduling.

In cases where the required part(s) are approved as exchange, order the exchange part and, upon completion, expedite the return of the removed part to avoid return penalties. Contact the Textron Aviation Parts Distribution Sales Desk for availability of exchange parts.

