

TITLE

WATER/WASTE - REPLACEMENT OF THE FORWARD GALLEY AND AFT LAVATORY FAUCET AERATORS (ADAMS RITE SERVICE BULLETINS AR90014-38-02 AND AR90060-38-02)

EFFECTIVITY**MODEL**

700 (Citation Longitude)

SERIAL NUMBERS

-0001 thru -0046

REASON

To replace the existing forward galley and aft lavatory faucet aerators with a new low flow aerators.

DESCRIPTION

This service bulletin transmits Adams Rite Service Bulletins AR90014-38-02 and AR90060-38-02 WATER/WASTE – FAUCET ASSEMBLY – REPLACE EXISTING AERATOR, PN 33184-1, WITH AERATOR, PN 33184-3 which provides instructions to replace the existing forward galley and aft lavatory aerators with a new low flow aerators.

NOTE: Adams Rite Service Bulletins AR90014-38-01 and AR90060-38-01 as referenced in Paragraph 1.B. of AR90014-38-02 and AR90060-38-02 have been complied with at the factory.

COMPLIANCE

RECOMMENDED. This service document should be accomplished at a scheduled maintenance period or inspection.

A service document published by Textron Aviation may be recorded as *completed* in an aircraft log only when the following requirements are satisfied:

- 1) The mechanic must complete all of the instructions in the service document, including the intent therein.
- 2) The mechanic must correctly use and install all applicable parts supplied with the service document kit. Only with written authorization from Textron Aviation can substitute parts or rebuilt parts be used to replace new parts.
- 3) The mechanic or airplane owner must use the technical data in the service document only as approved and published.
- 4) The mechanic or airplane owner must apply the information in the service document only to aircraft serial numbers identified in the *Effectivity* section of the document.
- 5) The mechanic or airplane owner must use maintenance practices that are identified as acceptable standard practices in the aviation industry and governmental regulations.

No individual or corporate organization other than Textron Aviation is authorized to make or apply any changes to a Textron Aviation-issued service document or flight manual supplement without prior written consent from Textron Aviation.

Textron Aviation is not responsible for the quality of maintenance performed to comply with this document, unless the maintenance is accomplished at a Textron Aviation-owned Service Center.

CONSUMABLE MATERIAL

No specialized consumable materials are required to complete this service document.

March 16, 2021

SL700-38-02
Page 1 of 3

Textron Aviation Customer Service, P.O. Box 7706, Wichita, KS 67277, U.S.A. 1-316-517-5800

This document contains technical data and is subject to U.S. export regulations. This information has been exported from the United States in accordance with export administration regulations. Diversion contrary to U.S. law is prohibited. ECCN: 9E991

TOOLING

No specialized tooling is required to complete this service document.

REFERENCES

Adams Rite Service Bulletin AR90014-38-02

Adams Rite Service Bulletin AR90060-38-02

PUBLICATIONS AFFECTED

None

ACCOMPLISHMENT INSTRUCTIONS

1. Prepare the airplane for maintenance.
 - A. Make sure that the airplane is electrically grounded.
 - B. Make sure that all switches are in the OFF/NORM position.
 - C. Disconnect electrical power from the airplane.
 - (1) Disconnect the airplane battery.
 - (2) Disconnect external electrical power.
 - D. Attach maintenance warning tags to the battery and external power receptacle that have **"DO NOT CONNECT ELECTRICAL POWER - MAINTENANCE IN PROGRESS"** written on them.
2. If installed, replace the forward galley faucet aerator as follows:
 - A. Do Adams Rite Service Bulletin AR90014-38-02.
3. Replace the aft lavatory faucet aerator as follows:
 - A. Do Adams Rite Service Bulletin AR90060-38-02.
4. Remove the maintenance warning tags and connect the airplane battery.
5. Make an entry in the airplane logbook that states compliance and method of compliance with this service document.

NOTE: Textron Aviation recommends that compliance with all service documents is reported to a maintenance tracking system provider.

- Complete a record of compliance. (Maintenance Transaction Report, Log Book Entry, or other record of compliance.)
- Put a copy of the completed record of compliance in the airplane logbook.
- Send a copy of the completed record of compliance to the maintenance tracking system provider used.

MATERIAL INFORMATION

Order the kits/parts below to install this modification.

NEW P/N	QUAN- TITY	KEY WORD	OLD P/N	INSTRUCTIONS/ DISPOSITION
91-008831-1	1	Adams Rite Modification Kit (Aft Lavatory Faucet Kit)	N/A	Install
91-008831-3 (NOTE 1)	1	Adams Rite Modification Kit (Forward Galley Faucet Kit)	NA	Install
T5646	1	Aerator Tool	N/A	N/A

NOTE 1: This kit is only required for aircraft with the forward galley faucet installed on the aircraft.

* Please contact Textron Aviation Parts Distribution for current cost and availability of parts listed in this service document. Phone at 1-800-835-4000 (Domestic) or 1-316-517-5603 (International). Send email to: parts@txtav.com.

Based on availability and lead times, parts may require advanced scheduling.

TITLE

WATER/WASTE - REPLACEMENT OF THE FORWARD GALLEY AND AFT LAVATORY FAUCET AERATORS (ADAMS RITE SERVICE BULLETINS AR90014-38-02 AND AR90060-38-02)

TO:

Cessna Model 700 Aircraft Owner

REASON

To replace the existing forward galley and aft lavatory faucet aerators with a new low flow aerators.

COMPLIANCE

RECOMMENDED. This service document should be accomplished at a scheduled maintenance period or inspection.

LABOR HOURS

WORK PHASE	LABOR-HOURS
Modification	1.0

MATERIAL AVAILABILITY

No part are required to complete this service document.

PART NUMBER	AVAILABILITY	COST
91-008831-1	*	*
91-008831-3	*	*
T5646	*	*

* Please contact Textron Aviation Parts Distribution for current cost and availability of parts listed in this service document. Phone at 1-800-835-4000 (Domestic) or 1-316-517-5603 (International). Send email to: parts@txtav.com.

Based on availability and lead times, parts may require advanced scheduling.

WARRANTY

This service document is *recommended*. Eligible airplanes may qualify for parts and labor coverage to the extent noted in the *Labor Hours* and *Material Availability* sections of this document.

March 16, 2021

SL700-38-02
Page 1 of 2

Textron Aviation Customer Service, P.O. Box 7706, Wichita, KS 67277, U.S.A. 1-316-517-5800

This document contains technical data and is subject to U.S. export regulations. This information has been exported from the United States in accordance with export administration regulations. Diversion contrary to U.S. law is prohibited. ECCN: 9E991

Eligibility: Airplanes identified within the serial number effectivity of this service document must have active Airframe warranty coverage on the original issue date of this document and the coverage must be active on the day the work is accomplished.

Parts Coverage: Textron Aviation-owned and Textron Aviation-authorized Service Facilities, operators, or other maintenance facilities may submit a claim for the parts required to accomplish this service document as defined in the *Material Availability* section of this document.

Labor Coverage: Textron Aviation-owned and Textron Aviation-authorized Service Facilities rated to perform maintenance on the specific model of Cessna Aircraft may submit a claim for the labor necessary to accomplish this service document as defined in the *Labor Hours* section of this document.

Credit Application: After this service document has been accomplished, a claim must be submitted to Textron Aviation within 30 days of the service document completion. Claims for compliance of this service document are to be filed as a W4` type claim.

Please submit your claim form online at ww2.txtav.com/Parts or email the completed Textron Aviation Claim Form to warranty@txtav.com. If submitted on-line a Return Authorization will be provided. If a paper claim is submitted your claim will be entered into the system and a Return Authorization will be sent to you.

The Return Authorization must accompany any required return parts (see *Material Availability*), to the point of purchase.

Parts to be returned to Textron Aviation Parts Distribution should be forwarded to:

Textron Aviation Parts Distribution
Warranty Administration
285 South Greenwich Road
Bldg B89, Docks 1-4
Wichita, KS 67206
USA

Expiration: March 31, 2023 (after this date the owner/operator assumes the responsibility for compliance costs)

Textron Aviation reserves the right to void continued airplane warranty coverage for the parts affected by this service document until the service document is accomplished.

NOTE: As a convenience, service documents are now available online to all our customers through a simple, free-of-charge registration process. If you would like to sign up, please visit the Customer Access link at www.txtavsupport.com to register.



ADAMS RITE AEROSPACE

4141 N. PALM STREET
FULLERTON, CALIFORNIA 92835, USA
TEL: 714 278-6500 FAX: 714 278-6515
(CAGE CODE: 80477)

SERVICE BULLETIN

WATER/WASTE – FAUCET ASSEMBLY – REPLACE EXISTING AERATOR,
PN 33184-1, WITH AERATOR, PN 33184-3.

1. PLANNING INFORMATION

A. Effectivity:

This Service Bulletin is applicable to Faucet Assembly, PN AR90014-3DXXX made before December 2020.

B. Concurrent Requirements:

Do Service Bulletin AR90014-38-01 first before doing this Service Bulletin.

C. Reason:

Customer has requested to replace the existing aerator, PN 33184-1, with a new low flow aerator, PN 33184-3, to keep splatter on sink bowl to a minimum.

D. Description:

This Service Bulletin gives instructions to replace the existing aerator PN 33184-1 with aerator PN 33184-3 by installing Aerator/Label Kit, PN 91-008831-3.

E. Compliance Recommendation:

Recommended. Accomplish at the earliest opportunity when manpower and facilities are available.

F. Approval:

This Service Bulletin contains no modification information that revises the approved configuration and therefore does not require governmental or other regulatory agency approval.

G. Manpower:

Accomplishment of this Service Bulletin will require approximately thirty (30) minutes. Estimated time does not include accessing the equipment on the aircraft.

H. Weight and Balance:

None.

THIS DOCUMENT CONTAINS INFORMATION PROPRIETARY TO ADAMS RITE AEROSPACE, AND IS SUBMITTED UNDER A CONFIDENTIAL RELATIONSHIP. EXCEPT FOR USES EXPRESSLY GRANTED IN WRITING, ALL RIGHTS ARE RESERVED BY ADAMS RITE AEROSPACE.

AR90014-38-02

SERVICE BULLETIN

I. Electrical Load Data:

Not Changed.

J. Software Accomplishment Summary:

Not applicable.

K. References:

Engineering Drawing Nos. AR90014-XDXXX, 90014-XDXXX.

L. Other Publications Affected:

Component Maintenance Manuals 38-14-20 and 38-14-21.

M. Interchangeability or Intermixability of Parts:

Not applicable.

2. MATERIAL INFORMATION
A. Material – Price and Availability:

COMPONENT	PART NUMBER	QUANTITY	PRICE	AVAILABILITY
Aerator/Label Kit	91-008831-3	1	FOC	***

***Contact Adams Rite Aerospace, Inc. for availability.

B. Industry Support Information:

Adams Rite Aerospace (ARA) will give the necessary materials and man-hours Free of Charge (FOC) for the change given in this Service Bulletin.

C. Material Necessary for Each Component:

Aerator/Label Kit, PN 91-008831-3

NEW PART NO.	QTY.	DESCRIPTION	OLD PART NO.	DISPOSITION
33184-3	1	Aerator	33184-1	Replace/Discard
91-008828-3	1	Label, Modification	---	New

D. Material Necessary for Each Spare:

Not Applicable.

E. Re-identified Parts:

Not Applicable.

AR90014-38-02

SERVICE BULLETIN**F. Tooling – Price and Availability:**

TOOL	PART OR SPECIFICATION NUMBER	PRICE*	AVAILABILITY*
Alcohol, Isopropyl	Federal Specification TT-I-735	---	Commercially Available
Tool, Aerator	T5646	---	Adams Rite Aerospace, Inc.
Wipes, Cleaning, Disposable	Size: 4.5 X 8.5 in. (114.3 X 215.9 mm) (Ref: Kimtech Science Kimwipes Model No. 34155)	---	Commercially Available

*Contact Adams Rite Aerospace, Inc. for price and availability.

SERVICE BULLETIN

3. ACCOMPLISHMENT INSTRUCTIONS

WARNING: ONLY APPROVED PERSONNEL CAN DO MAINTENANCE.

NOTE: Make sure to close the faucet assembly water supply and to release the pressure.

NOTE: Removal of faucet assembly from lavatory is not necessary to do this Service Bulletin.

A. Removal of Existing Aerator

NOTE: Refer to Figure 1.

- (1) Use an aerator tool, PN T5646, to remove the existing aerator, PN 33184-1, from gooseneck spout, PN 78589-1DXXX. Discard the aerator.

B. Installation of New Aerator

NOTE: Refer to Figure 1.

- (1) Use an aerator tool, PN T5646, to install the new aerator, PN 33184-3, on gooseneck spout.

C. Installation of Label

NOTE: Refer to Figure 2.

- (1) Remove the setscrew, PN 20115-503 and knob assembly, PN 78586-1DXXX, from inner knob (part of cartridge assembly, PN 91-008137-1).

WARNING: USE ALCOHOL IN AN AREA WITH A GOOD AIRFLOW TO MAKE SURE FUMES DO NOT COLLECT. DO NOT BREATHE THE FUMES. KEEP ALCOHOL AWAY FROM OPEN FLAMES.

- (2) Clean the area of knob assembly where modification label, PN 91-008828-3, will be installed with a disposable cleaning wipe moistened with isopropyl alcohol.
- (3) Dry the area by wiping with a disposable cleaning wipe and by blowing with clean, dry, compressed air at 5 to 10 psig (34.47 to 68.95 kPa).
- (4) Install the modification label, PN 91-008828-3, on knob assembly.
- (5) Install the knob assembly with setscrew on inner knob (part of cartridge assembly).

SERVICE BULLETIN

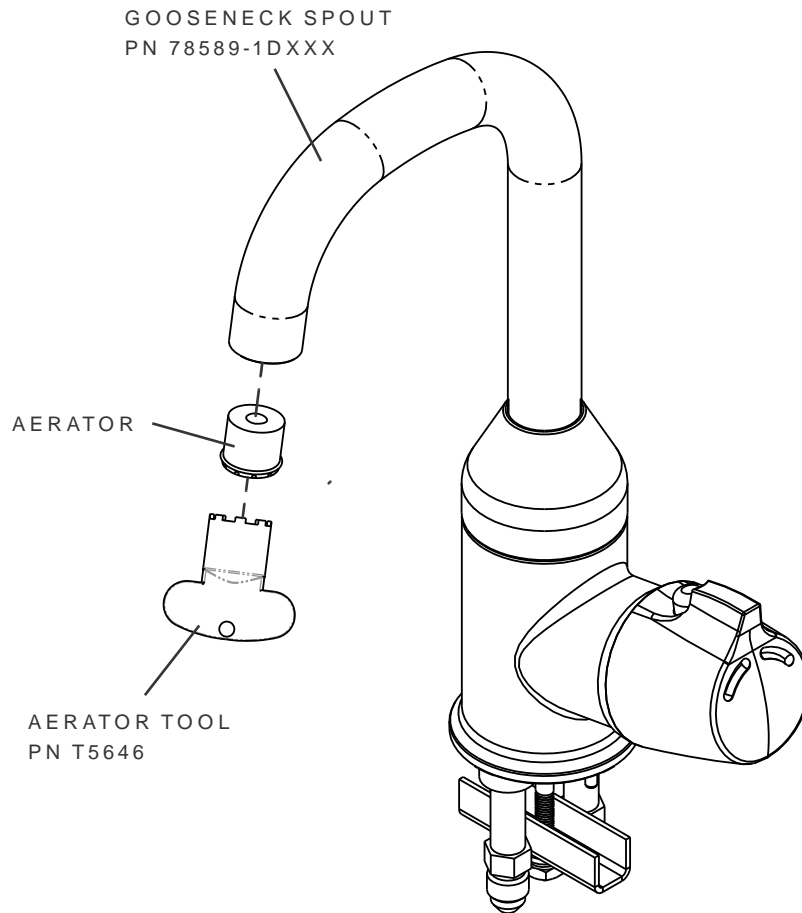


Figure 1. Removal/Installation of Aerator

SERVICE BULLETIN

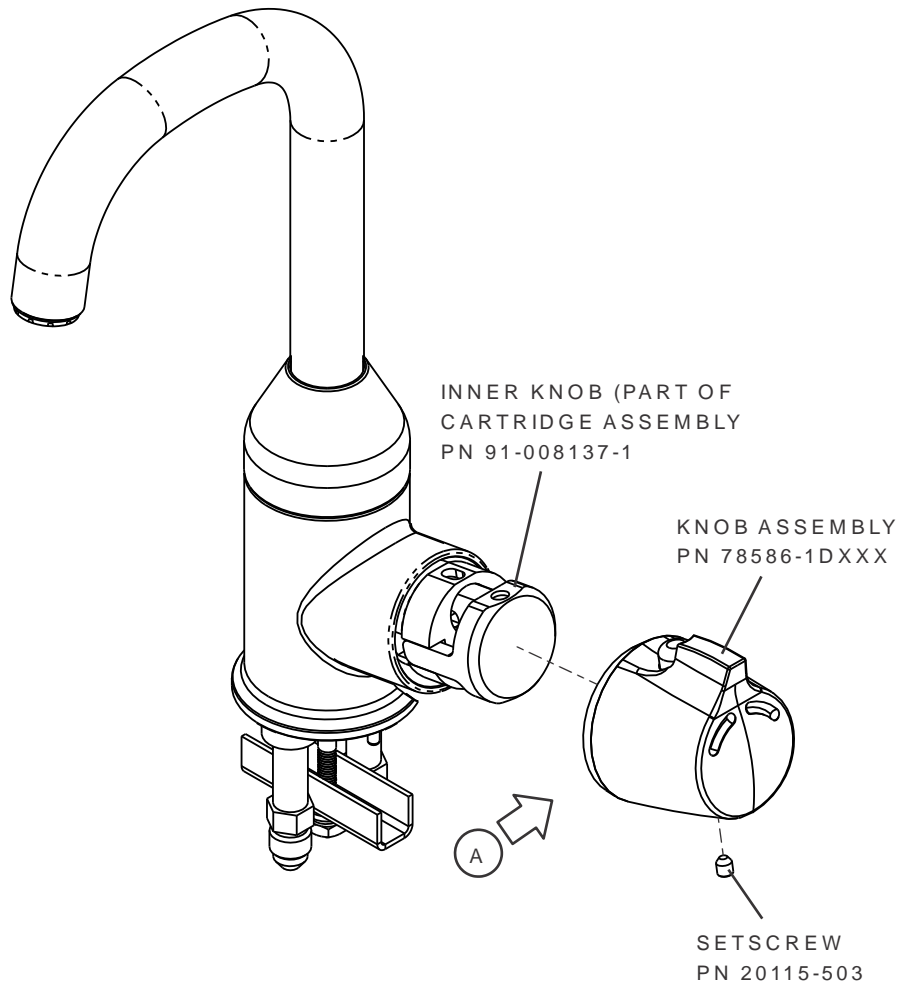


Figure 2. Installation of Modification Label, PN 91-008828-3
(Sheet 1 of 2)

SERVICE BULLETIN

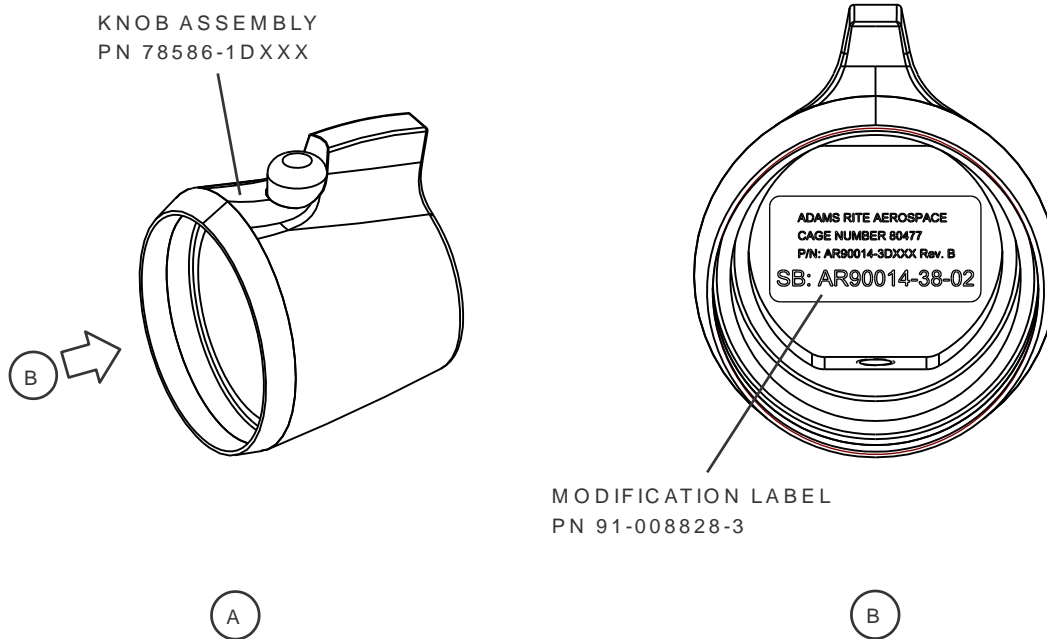


Figure 2. Installation of Modification Label, PN 91-008828-3
(Sheet 2 of 2)



ADAMS RITE AEROSPACE

4141 N. PALM STREET
FULLERTON, CALIFORNIA 92835, USA
TEL: 714 278-6500 FAX: 714 278-6515
(CAGE CODE: 80477)

SERVICE BULLETIN

WATER/WASTE – FAUCET ASSEMBLY – REPLACE EXISTING AERATOR,
PN 33184-1, WITH AERATOR, PN 33184-3.

1. PLANNING INFORMATION

A. Effectivity:

This Service Bulletin is applicable to Faucet Assembly, PN AR90060-3DXXX made before December 2020.

B. Concurrent Requirements:

Do Service Bulletin AR90060-38-01 first before doing this Service Bulletin.

C. Reason:

Customer has requested to replace the existing aerator, PN 33184-1, with a new low flow aerator, PN 33184-3, to keep splatter on sink bowl to a minimum.

D. Description:

This Service Bulletin gives instructions to replace the existing aerator PN 33184-1 with aerator PN 33184-3 by installing Aerator/Label Kit, PN 91-008831-1.

E. Compliance Recommendation:

Recommended. Accomplish at the earliest opportunity when manpower and facilities are available.

F. Approval:

This Service Bulletin contains no modification information that revises the approved configuration and therefore does not require governmental or other regulatory agency approval.

G. Manpower:

Accomplishment of this Service Bulletin will require approximately thirty (30) minutes. Estimated time does not include accessing the equipment on the aircraft.

H. Weight and Balance:

None.

THIS DOCUMENT CONTAINS INFORMATION PROPRIETARY TO ADAMS RITE AEROSPACE, AND IS SUBMITTED UNDER A CONFIDENTIAL RELATIONSHIP. EXCEPT FOR USES EXPRESSLY GRANTED IN WRITING, ALL RIGHTS ARE RESERVED BY ADAMS RITE AEROSPACE.

AR90060-38-02

SERVICE BULLETIN

I. Electrical Load Data:

Not Changed.

J. Software Accomplishment Summary:

Not applicable.

K. References:

Engineering Drawing Nos. AR90060-XDXXX, 90060-XDXXX.

L. Other Publications Affected:

Component Maintenance Manuals 38-14-18 and 38-14-19.

M. Interchangeability or Intermixability of Parts:

Not applicable.

2. MATERIAL INFORMATION

A. Material – Price and Availability:

COMPONENT	PART NUMBER	QUANTITY	PRICE	AVAILABILITY
Aerator/Label Kit	91-008831-1	1	FOC	***

***Contact Adams Rite Aerospace, Inc. for availability.

B. Industry Support Information:

Adams Rite Aerospace (ARA) will give the necessary materials and man-hours Free of Charge (FOC) for the change given in this Service Bulletin.

C. Material Necessary for Each Component:

Aerator/Label Kit, PN 91-008831-1

NEW PART NO.	QTY.	DESCRIPTION	OLD PART NO.	DISPOSITION
33184-3	1	Aerator	33184-1	Replace/Discard
91-008828-1	1	Label, Modification	---	New

D. Material Necessary for Each Spare:

Not Applicable.

E. Re-identified Parts:

Not Applicable.

SERVICE BULLETIN

F. Tooling – Price and Availability:

TOOL	PART OR SPECIFICATION NUMBER	PRICE*	AVAILABILITY*
Alcohol, Isopropyl	Federal Specification TT-I-735	---	Commercially Available
Tool, Aerator	T5646	---	Adams Rite Aerospace, Inc.
Wipes, Cleaning, Disposable	Size: 4.5 X 8.5 in. (114.3 X 215.9 mm) (Ref: Kimtech Science Kimwipes Model No. 34155)	---	Commercially Available

*Contact Adams Rite Aerospace, Inc. for price and availability.

SERVICE BULLETIN

3. ACCOMPLISHMENT INSTRUCTIONS

WARNING: ONLY APPROVED PERSONNEL CAN DO MAINTENANCE.

NOTE: Make sure to close the faucet assembly water supply and to release the pressure.

NOTE: Removal of faucet assembly from lavatory is not necessary to do this Service Bulletin.

A. Removal of Existing Aerator

NOTE: Refer to Figure 1.

- (1) Use an aerator tool, PN T5646, to remove the existing aerator, PN 33184-1, from gooseneck spout, PN 78583-1DXXX. Discard the aerator.

B. Installation of New Aerator

NOTE: Refer to Figure 1.

- (1) Use an aerator tool, PN T5646, to install the new aerator, PN 33184-3, on gooseneck spout.

C. Installation of Label

NOTE: Refer to Figure 2.

- (1) Remove the setscrew, PN 20115-503 and knob, PN 78582-1DXXX, from inner knob (part of cartridge assembly, PN 91-008137-1).

WARNING: USE ALCOHOL IN AN AREA WITH A GOOD AIRFLOW TO MAKE SURE FUMES DO NOT COLLECT. DO NOT BREATHE THE FUMES. KEEP ALCOHOL AWAY FROM OPEN FLAMES.

- (2) Clean the area of knob where modification label, PN 91-008828-1, will be installed with a disposable cleaning wipe moistened with isopropyl alcohol.
- (3) Dry the area by wiping with a disposable cleaning wipe and by blowing with clean, dry, compressed air at 5 to 10 psig (34.47 to 68.95 kPa).
- (4) Install the modification label, PN 91-008828-1, on knob.
- (5) Install the knob with setscrew on inner knob (part of cartridge assembly).

SERVICE BULLETIN

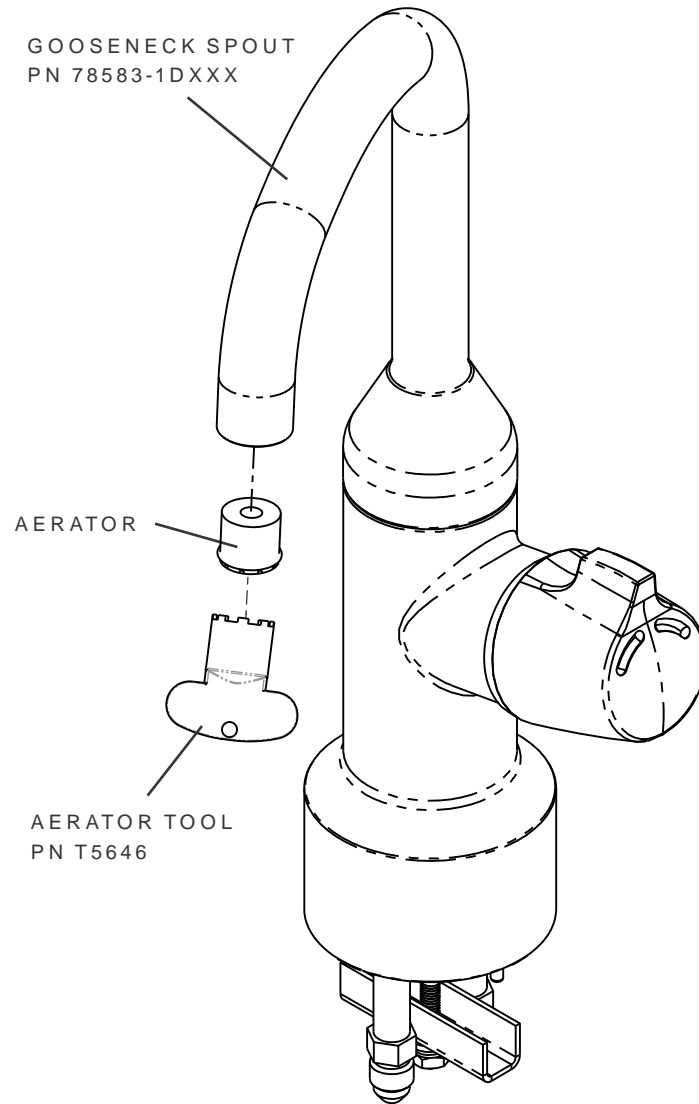


Figure 1. Removal/Installation of Aerator

SERVICE BULLETIN

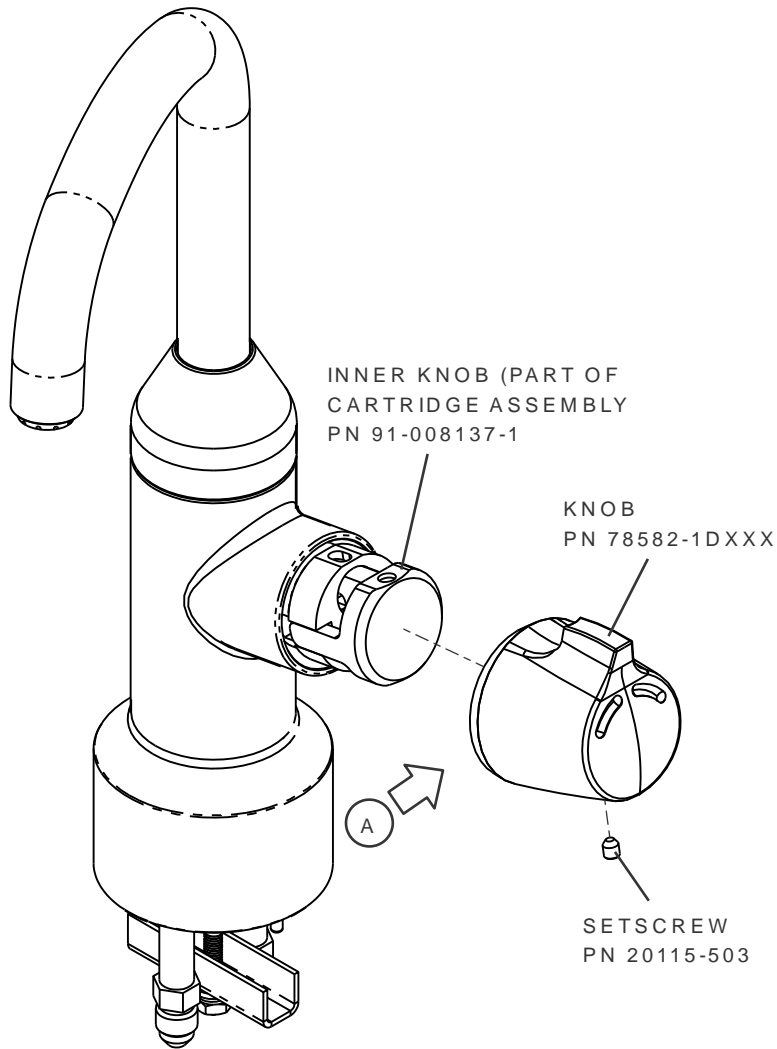


Figure 2. Installation of Modification Label, PN 91-008828-1
(Sheet 1 of 2)

SERVICE BULLETIN

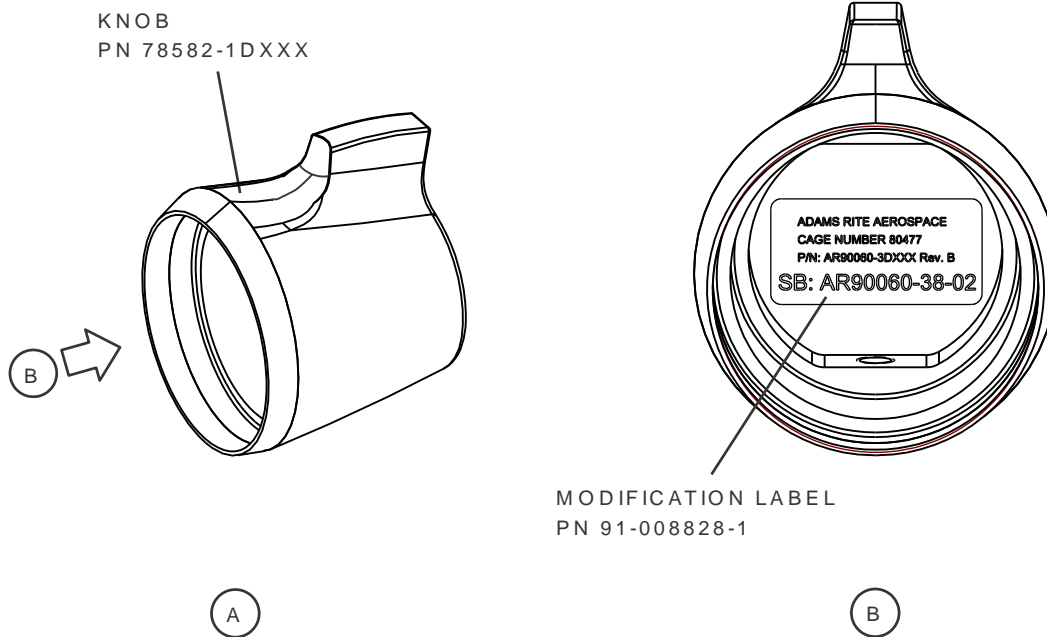


Figure 2. Installation of Modification Label, PN 91-008828-1
(Sheet 2 of 2)

