

TITLE

COMMUNICATIONS - GOGO AVANCE L5/GARMIN INTERFACE

EFFECTIVITY**MODEL**

700 (Citation Longitude)

SERIAL NUMBERS

-0001 thru -0032

The equivalent of this service document has been incorporated on production airplanes -0033 and On.

NOTE: Textron Aviation-owned Service Centers are the only facilities that can complete this service document.

REASON

Provides the ability to reset or turn on/off GOGO Avance L5 internet from the Garmin Touch Controller (GTC).

NOTE: Service Bulletin SB700-42-01 - Garmin G5000 Software Update System Software Version 2257.58 Original Issue or later must be completed prior to or in conjunction with this service bulletin..

DESCRIPTION

This service document provides parts and instructions to add the capability to control the GOGO Avance L5 internet from the flight deck.

COMPLIANCE

OPTIONAL. This service document can be accomplished at the discretion of the owner.

A service document published by Textron Aviation may be recorded as *completed* in an aircraft log only when the following requirements are satisfied:

- 1) The mechanic must complete all of the instructions in the service document, including the intent therein.
- 2) The mechanic must correctly use and install all applicable parts supplied with the service document kit. Only with written authorization from Textron Aviation can substitute parts or rebuilt parts be used to replace new parts.
- 3) The mechanic or airplane owner must use the technical data in the service document only as approved and published.
- 4) The mechanic or airplane owner must apply the information in the service document only to aircraft serial numbers identified in the *Effectivity* section of the document.
- 5) The mechanic or airplane owner must use maintenance practices that are identified as acceptable standard practices in the aviation industry and governmental regulations.

No individual or corporate organization other than Textron Aviation is authorized to make or apply any changes to a Textron Aviation-issued service document or flight manual supplement without prior written consent from Textron Aviation.

Textron Aviation is not responsible for the quality of maintenance performed to comply with this document, unless the maintenance is accomplished at a Textron Aviation-owned Service Center.

APPROVAL

Textron Aviation received FAA approval for the technical data in this publication that changes the airplane type design.

FLIGHT CREW OPERATIONS

Refer to the attached *Flight Crew Operations Summary*.

CONSUMABLE MATERIAL

No specialized consumable materials are required to complete this service document.

TOOLING

No specialized tooling is required to complete this service document.

WEIGHT AND BALANCE INFORMATION

Negligible

REFERENCES

Cessna Model 700 Maintenance Manual
Cessna Model 700 Electrical Wiring Interconnect Manual
Citation Standard Practices Manual

REFERENCES**PUBLICATIONS AFFECTED**

Cessna Model 700 Wiring Diagram Manual

ACCOMPLISHMENT INSTRUCTIONS

1. Prepare the airplane for maintenance.
 - A. Make sure that the airplane is electrically grounded.
 - B. Make sure that all switches are in the OFF/NORM position.
 - C. Disconnect electrical power from the airplane.
 - (1) Disconnect the airplane batteries.
 - (2) Disconnect external electrical power.
 - D. Attach maintenance warning tags to the battery and external power receptacle that have **"DO NOT CONNECT ELECTRICAL POWER - MAINTENANCE IN PROGRESS"** written on them.
2. Do the wiring modification.
 - A. (Refer to Figure 1, Sheet 1.) On aircraft -0001 thru -0030 do the wiring modifications per wire diagram.
 - B. (Refer to Figure 1, Sheet 2.) On aircraft -0031 and -0032 do the wiring modification per wire diagram:
 - C. Remove the maintenance warning tags and connect the airplane batteries.
 - D. Do the operational check of the GOGO Avance L5 as follows:
 - (1) Connect external electrical power to the aircraft. (Refer to Cessna Model 700 Maintenance Manual, Chapter 24, External Electrical Power - Maintenance Practices.)
 - (2) Using a computer or Smart phone, connect to the aircraft's Wi-Fi network.

NOTE: The SSID is InternetConnect_700-XXX. The last three digits (XXX) correspond to the aircraft serial number.

- (3) On the Multifunctional Display (MFD) L Garmin Touch Controller (GTC) do as follows:
 - (a) If not already done, go to the Home page on the MFD L GTC.
 - (b) Select the Aircraft Systems button.
 - (c) Select the Cabin Management button.
 - (d) Select the Misc Controls button.
 - 1 Make sure the Cabin Internet tab shows at the bottom of the MFD L GTC.
 - (e) If necessary, Select the On button on the MFD L GTC.
 - (f) From the computer or Smart phone, open a web browser and enter a common website. (Example: <https://wikipedia.org/wiki/Textron>)
 - (g) Select enter or search on the computer or Smart phone.
 - 1 Make sure the website loads and opens.
 - 2 Exit the website.
 - (h) Select the Off button on the MFD L GTC.
 - (i) From the computer or Smart phone, open a web browser and enter a common website. (Example: <https://wikipedia.org/wiki/Textron>)
 - (j) Select enter or search on the computer or Smart phone.
 - 1 Make sure the website does not load and open.
 - 2 Exit the website.
 - (k) Select the Reset button on the MFD L GTC.

NOTE: It could take up to five minutes for the internet system to fully reset.
 - (l) From the computer or Smart phone, open a web browser and enter a common website. (Example: <https://wikipedia.org/wiki/Textron>)
 - (m) Select enter or search on the computer or Smart phone.
 - 1 Make sure the website loads and opens.
 - 2 Exit the website.
 - (n) If necessary, select the On button on the MFD L GTC.
3. Make sure the flight crew receives the *Flight Crew Operations Summary*, which shows the operational changes that are a result of the accomplishment of this service bulletin.
4. Remove the maintenance warning tags and connect the airplane battery.
5. Make an entry in the airplane logbook that states compliance and method of compliance with this service document.

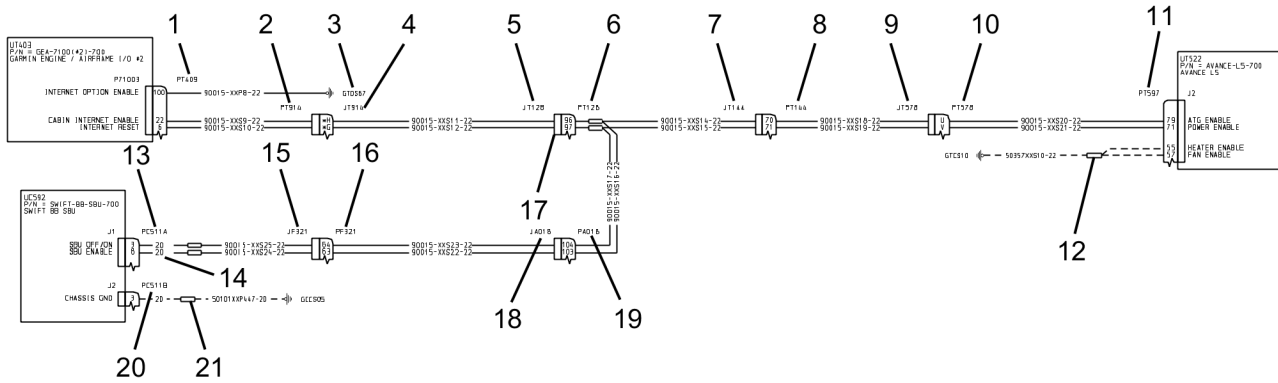
NOTE: Textron Aviation recommends that compliance with all service documents is reported to a maintenance tracking system provider.

- Complete a record of compliance. (Maintenance Transaction Report, Log Book Entry, or other record of compliance.)
- Put a copy of the completed record of compliance in the airplane logbook.
- Send a copy of the completed record of compliance to the maintenance tracking system provider used.

A110179



Before Modification
 Aircraft -0001 thru -0030



After Modification
 Aircraft -0001 thru -0030

Legend	
-----	Existing Wire
—————	New Wire

8290015

Figure 1. GOGO Avance L5/Garmin Interface Electrical Wiring Modification (Sheet 1)

A110180

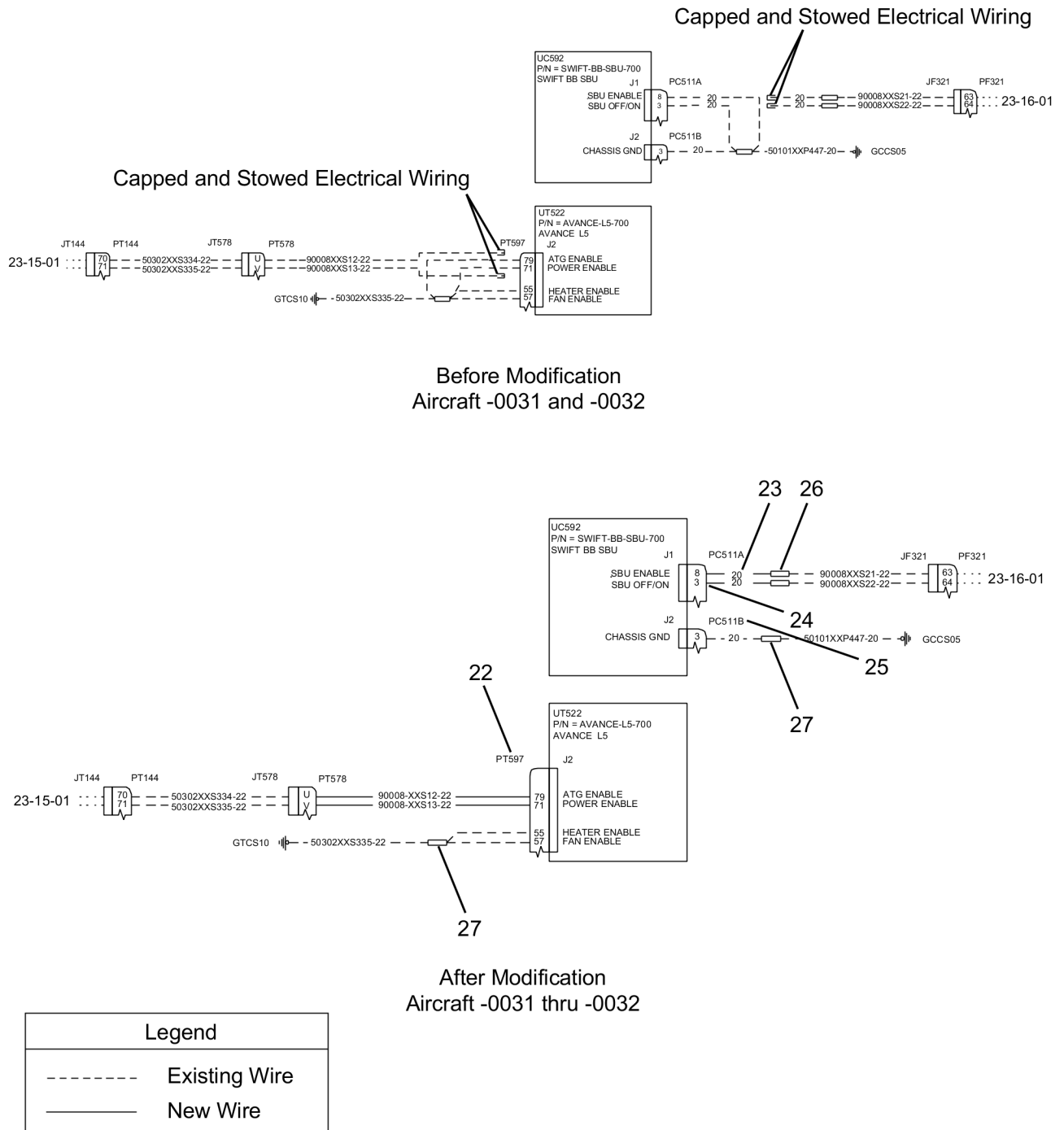


Figure 1. GOGO Avance L5/Garmin Interface Electrical Wiring Modification (Sheet 2)

8290009

A110797

1	M39029/56-348 Contact (3 Required)	15	M39029/57-354 Contact (2 Required)
2	M39029-58-363 Contact (2 required)	16	M39029/58-360 Contact (2 Required)
3	MS25036-148 Ring Terminal (1 Required)	17	M81824/1-1 Splice (1 Required)
4	M39029/57-357 Contact (2 Required)	18	M39029/58-360 Contact (2 Required)
5	M39029/57-354 Contact (2 Required)	19	M39029/56-348 Contact (2 Required)
6	MS39029/58-360 Contact (2 Required)	20	M39029/12-150 Contact (1 Required)
7	M39029/57-354 Contact (2 Required)	21	M81824/1-1 Splice (1 Required)
8	M39029/58-360 Contact (2 Required)	22	M39029/58-360 Contact (2 Required)
9	M39029/57-357 Contact (2 Required)	23	M39029/12-149 Contact (1 Required)
10	M39029/58-363 Contact (2 Required)	24	M39029/12-150 Contact (1 Required)
11	M39029/58-360 Contact (2 Required)	25	M39029/12-150 Contact (1 Required)
12	M81824/1-1 Splice (1 Required)	26	M81824/1-1 Splice (2 Required)
13	M39029/12-150 Contact (1 Required)	27	M81824/1-1 Splice (1 Required)
14	M39029/12-149 Contact (1 Required)		

Figure 1. GOGO Avance L5/Garmin Interface Electrical Wiring Modification (Sheet 3)

MATERIAL INFORMATION

Aircraft -0001 thru -0030 order the kit/parts below to install this modification.

NEW P/N	QUANTITY	KEY WORD	INSTRUCTIONS/ DISPOSITION
SB700-23-03-0	1	Kit , consisting of the following parts:	
M81044/12-22-9	3.5 feet	Electrical Wire Marked: (90015-2313-XXP8-22)100PT409-GTDS67	
M81044/12-22-9	11.5 feet	Electrical Wire Marked: (90015-2313-XXS9-22)22PT409-*HPT914	
M81044/12-22-9	11.5 feet	Electrical Wire Marked: (90015-2313-XXS10-22)6PT409-*GPT914	
M81044/12-22-9	2.5 feet	Electrical Wire Marked: (90015-2313-XXS11-22)*HJT914-96JT128	
M81044/12-22-9	2.5 feet	Electrical Wire Marked: (90015-2313-XXS12-22)*GJT914-97JT128	
M81044/12-22-9	5.0 feet	Electrical Wire Marked: (90015-2313-XXS14-22)(SP)96PT128-70JT144	
M81044/12-22-9	5.0 feet	Electrical Wire Marked: (90015-2313-XXS15-22)(SP)97PT128-71JT144	
M81044/12-22-9	6.0 feet	Electrical Wire Marked: (90015-2314-XXS16-22)(SP)96PT128-103PA018	
M81044/12-22-9	6.0 feet	Electrical Wire Marked: (90015-2314-XXS17-22)(SP)97PT128-104PA018	
M81044/12-22-9	11.5 feet	Electrical Wire Marked: (90015-2313-XXS18-22)70PT144-UJT578	
M81044/12-22-9	11.5 feet	Electrical Wire Marked: (90015-2313-XXS19-22)71PT144-VJT578	
M81044/12-22-9	4.0 feet	Electrical Wire Marked: (90015-2313-XXS20-22)UPT578-79PT597	
M81044/12-22-9	4.0 feet	Electrical Wire Marked: (90015-2313-XXS21-22)VPT578-71PT597	
M81044/12-22-9	4.5 feet	Electrical Wire Marked: (90015-2314-XXS22-22)63PF321-103JA018	
M81044/12-22-9	4.5 feet	Electrical Wire Marked: (90015-2314-XXS23-22)64PF321-104JA018	
M81044/12-22-9	12.5 feet	Electrical Wire Marked: (90015-2314-XXS24-22)(SP)8PC511A-63JF321	
M81044/12-22-9	12.5 feet	Electrical Wire Marked: (90015-2314-XXS25-22)(SP)3PC511A-64JF321	
M39029/12-149	1	Contact	
M39029/12-150	1	Contact	

NEW P/N	QUANTITY	KEY WORD	INSTRUCTIONS/ DISPOSITION
M39029/56-348	5	Contact	
M39029/57-354	6	Contact	
M39029/58-360	8	Contact	
M81824/1-1	6	Splice	
MS25036-148	1	Ring Terminal	
SB700-23-03	1	Instructions	

Aircraft 700-0031 and 700-0032 order the kit/parts below to install this modification.

NEW P/N	QUANTITY	KEY WORD	OLD P/N	INSTRUCTIONS/ DISPOSITION
SB700-23-03-01	1	Kit , consisting of the following parts:		
M39029/12-149	1	Contact		
M39029/12-150	1	Contact		
M39029/58-360	2	Contact		
M81824/1-1	4	Splice		
SB700-23-03	1	Instructions		

* Please contact Textron Aviation Parts Distribution for current cost and availability of parts listed in this service document. Phone at 1-800-835-4000 (Domestic) or 1-316-517-5603 (International). Send email to: parts@txtav.com.

Based on availability and lead times, parts may require advanced scheduling.

FLIGHT CREW OPERATIONS SUMMARY

SB700-23-03 - GOGO Advance L5/Garmin Interface

This summary provides additional information for the flight crew regarding operational changes as a result of accomplishment of this service bulletin. Please remove this summary from the service bulletin and give it to the flight crew. This summary is *informational only* and does not supersede any information in the FAA-approved airplane flight manual.

- This option allows the pilot's to turn the cabin internet system on/off or reset as necessary.

TITLE

COMMUNICATIONS - GOGO AVANCE L5/GARMIN INTERFACE

TO:

Cessna Model 700 Aircraft Owner

REASON

Provides the ability to reset or turn on/off GOGO Avance L5 internet from the Garmin Touch Controller (GTC).

COMPLIANCE

OPTIONAL. This service document can be accomplished at the discretion of the owner.

LABOR HOURS

WORK PHASE	LABOR-HOURS
Modification	As Required
Test and Inspection	As Required

MATERIAL AVAILABILITY

The kits below are required to complete this service document.

PART NUMBER	AVAILABILITY	COST
SB700-23-03-0	*	*
SB700-23-03-01	*	*

* Please contact Textron Aviation Parts Distribution for current cost and availability of parts listed in this service document. Phone at 1-800-835-4000 (Domestic) or 1-316-517-5603 (International). Send email to: parts@txtav.com.

Based on availability and lead times, parts may require advanced scheduling.

WARRANTY

None

NOTE: As a convenience, service documents are now available online to all our customers through a simple, free-of-charge registration process. If you would like to sign up, please visit the Customer Access link at www.txtavsupport.com to register.

