

**TITLE**

LIGHTS - LED BEACON INSTALLATION

**EFFECTIVITY**

MODEL	SERIAL NUMBERS
208	20800001 thru 20800663
208B	208B0001 thru 208B4999

The equivalent of this service document has been incorporated on production airplanes 208: 20800664 and On and 208B: 208B5000 and On.

**REASON**

The incandescent beacon light (ground recognition) can be replaced with an LED beacon light.

**DESCRIPTION**

This service bulletin provides parts and instructions to remove the incandescent beacon light and install an LED beacon light.

**COMPLIANCE**

OPTIONAL. This service bulletin can be accomplished at the discretion of the owner.

A service document published by Textron Aviation may be recorded as *completed* in an aircraft log only when the following requirements are satisfied:

- 1) The mechanic must complete all of the instructions in the service document, including the intent therein.
- 2) The mechanic must correctly use and install all applicable parts supplied with the service document kit. Only with written authorization from Textron Aviation can substitute parts or rebuilt parts be used to replace new parts.
- 3) The mechanic or airplane owner must use the technical data in the service document only as approved and published.
- 4) The mechanic or airplane owner must apply the information in the service document only to aircraft serial numbers identified in the *Effectivity* section of the document.
- 5) The mechanic or airplane owner must use maintenance practices that are identified as acceptable standard practices in the aviation industry and governmental regulations.

No individual or corporate organization other than Textron Aviation is authorized to make or apply any changes to a Textron Aviation-issued service document or flight manual supplement without prior written consent from Textron Aviation.

Textron Aviation is not responsible for the quality of maintenance performed to comply with this document, unless the maintenance is accomplished at a Textron Aviation-owned Service Center.

**APPROVAL**

Textron Aviation received FAA approval for the technical data in this publication that changes the airplane type design.

**FLIGHT CREW OPERATIONS**

No Changes

January 15, 2021

CAB-33-01  
Page 1 of 7

Textron Aviation Customer Service, P.O. Box 7706, Wichita, KS 67277, U.S.A. 1-316-517-5800

This document contains technical data and is subject to U.S. export regulations. This information has been exported from the United States in accordance with export administration regulations. Diversion contrary to U.S. law is prohibited. ECCN: 9E991

**CONSUMABLE MATERIAL**

You must use the consumable materials that follow, or their equivalent, to complete this service document.

NAME	NUMBER	MANUFACTURER	USE
Tape	P840140	Textron Aviation Parts Distribution 7121 Southwest Boulevard Wichita, KS 67215	To seal gap between vertical stabilizer and tip.

**TOOLING**

No specialized tooling is required to complete this service document.

**WEIGHT AND BALANCE INFORMATION**

Negligible.

**REFERENCES**

Model 208/208B Maintenance Manual.

**NOTE:** To make sure all publications used are complete and current. Refer to [www.txtavsupport.com](http://www.txtavsupport.com).

**PUBLICATIONS AFFECTED**

Model 208 Illustrated Parts Catalog.

**ACCOMPLISHMENT INSTRUCTIONS**

1. Prepare the airplane for maintenance.
  - A. Make sure that the airplane is electrically grounded.
  - B. Make sure that all switches are in the OFF/NORM position.
  - C. Disconnect electrical power from the airplane.
    - (1) Disconnect external electrical power.
    - (2) Disconnect the airplane battery.
  - D. Attach maintenance warning tags to the battery and external power receptacle that have **"DO NOT CONNECT ELECTRICAL POWER - MAINTENANCE IN PROGRESS"** written on them.
2. Remove the 01-0771055-19 beacon light assembly. (Refer to the Model 208 Maintenance Manual, Chapter 33, Incandescent Flashing Beacon - Maintenance Practices, Flashing Beacon Removal/Installation.)
  - A. Remove the C17313 Socket and wiring from the C17331-1 Mounting plate.
 

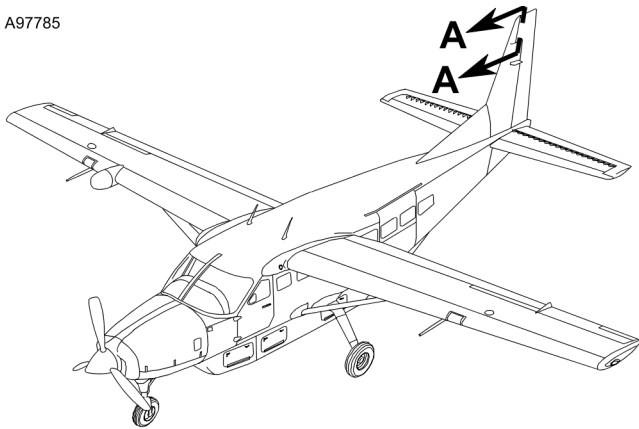
**NOTE:** The C17331-1 Mounting Plate (adapter plate) will be used for the LED beacon light installation.
3. Remove lower empennage access panel 320A. (Refer to the Model 208 Maintenance Manual, Chapter 6, Access Plates and Panels Identification- Description and Operation, Figure 9.)
4. Remove the flasher. (Refer to the Model 208 Maintenance Manual, Chapter 33, Incandescent Flashing Beacon - Maintenance Practices, Flasher Removal/Installation.)
5. (Airplanes 208: -0001 thru -0499 and 208B: -0001 thru -1999.) (Refer to Figure 2, Sheet 1.) Do the wiring modifications as shown.
  - A. Remove the resistor. (Refer to the Model 208 Maintenance Manual, Chapter 33, Incandescent Flashing Beacon - Maintenance Practices, Resistor Removal/Installation.)
    - (1) Cut wires 1J106 and 3J106 close to J106 Connector.
    - (2) Cut the wires to remove the splice for wire VJ9-2J84 between J9 and J84 Connectors.

- (3) Remove and discard the deleted wires, resistor, splice and J106 Connector.
  - B. Connect wires aP74 and 1J84 with a S1370-1 Splice.  
**NOTE:** These are the wires that were cut close to J106 in Step 5.A.(1).
  - C. Connect wires VJ9 and 2J84 with a S1370-1 Splice.  
**NOTE:** Wire VJ9-2J84 is the wire with the splice removed that had wires BLKFL1 and 2J106.
  - D. Identify two S4111-1A ID Tags with **aP74-1J84** and install each with two S2209-1 Tie Straps.
  - E. Identify two S4111-1A ID Tags with **VJ9-2J84** and install each with two S2209-1 Tie Straps.
6. (Airplanes 208: -0500 thru -0663 and 208B: -2000 thru -4999) (Refer to Figure 2, Sheet 2.) Do the wiring modifications as shown.
- A. Remove the resistor. (Refer to the Model 208 Maintenance Manual, Chapter 33, Incandescent Flashing Beacon - Maintenance Practices, Resistor Removal/Installation.)
    - (1) Cut wires 1PC004 and 3PC004 close to PC004 Connector.
    - (2) Remove and discard the deleted wires, resistor and PC004 Connector.
  - B. Connect wires 9JI004 and 1PV007 with a S1370-1 Splice.
  - C. Identify two S4111-1A ID Tags with **9JI004- 1PV007** and install each with two S2209-1 Tie Straps.
7. (Refer to Figure 2, Sheet 1 and Sheet 2.) Do a modification of the 01-0771055-19 LED Beacon Light wires as follows:
- A. Terminate the two wires with two S1636-1 Contact Sockets.
  - B. Install the Black wire to Pin 2 of S1638-1 Plug.
  - C. Install the White wire to Pin 3 of S1638-1 Plug.
  - D. Identify one S4111-2A ID Tag with **2P1-BLK FV001, 3P1- WHT FV001** and install with two S2209-1 Tie Straps.
  - E. Identify one S4111-1A ID Tag with **P1** and install next to the P1 Connector with two S2209-1 Tie Straps.
8. Install the 01-0771055-19 LED Beacon Light. (Refer to the Model 208 Maintenance Manual, Chapter 33, LED Ground Recognition Light - Removal/Installation.)
9. Install lower empennage access panel 320A. (Refer to the Model 208 Maintenance Manual, Chapter 6, Access Plates and Panels Identification- Description and Operation, Figure 9.)
10. Remove the maintenance warning tags and connect the airplane battery.
11. Do the ground recognition light operational test. (Refer to the Model 208 Maintenance Manual, Chapter 33, LED Exterior Lighting - Adjustment/Test.)
12. Make an entry in the airplane logbook that states compliance and method of compliance with this service document.

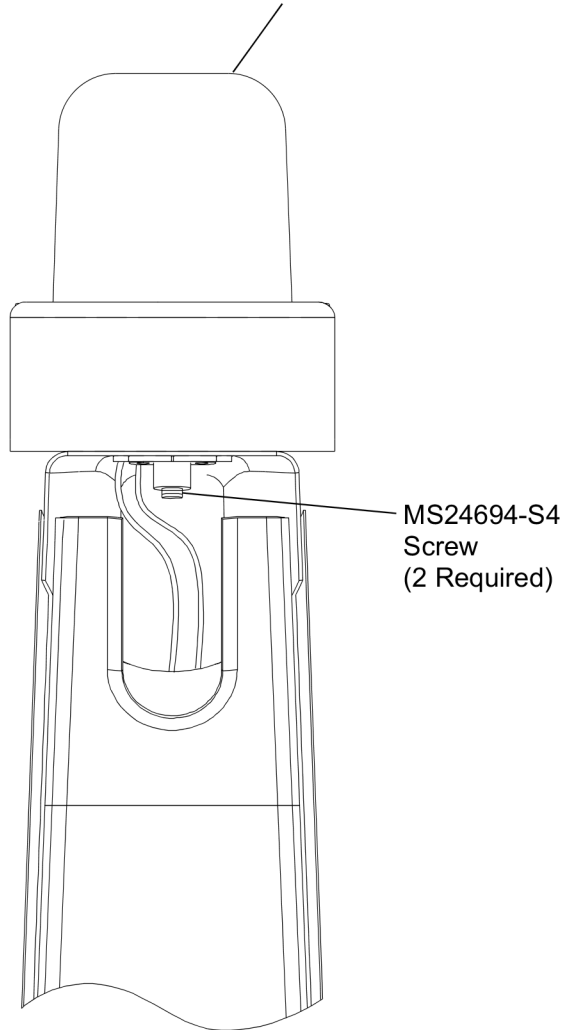
**NOTE:** Textron Aviation recommends that compliance with all service documents is reported to a maintenance tracking system provider.

- Complete a record of compliance. (Maintenance Transaction Report, Log Book Entry, or other record of compliance.)
- Put a copy of the completed record of compliance in the airplane logbook.
- Send a copy of the completed record of compliance to the maintenance tracking system provider used.

A97785



01-0771055-19  
Beacon Light  
(1 Required)

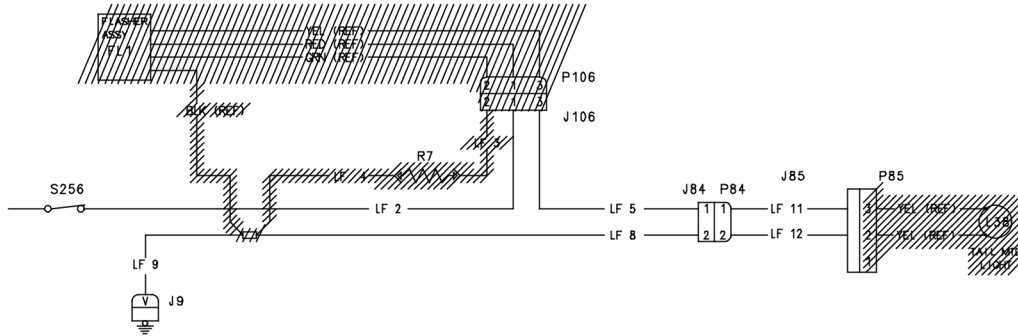


VIEW A-A

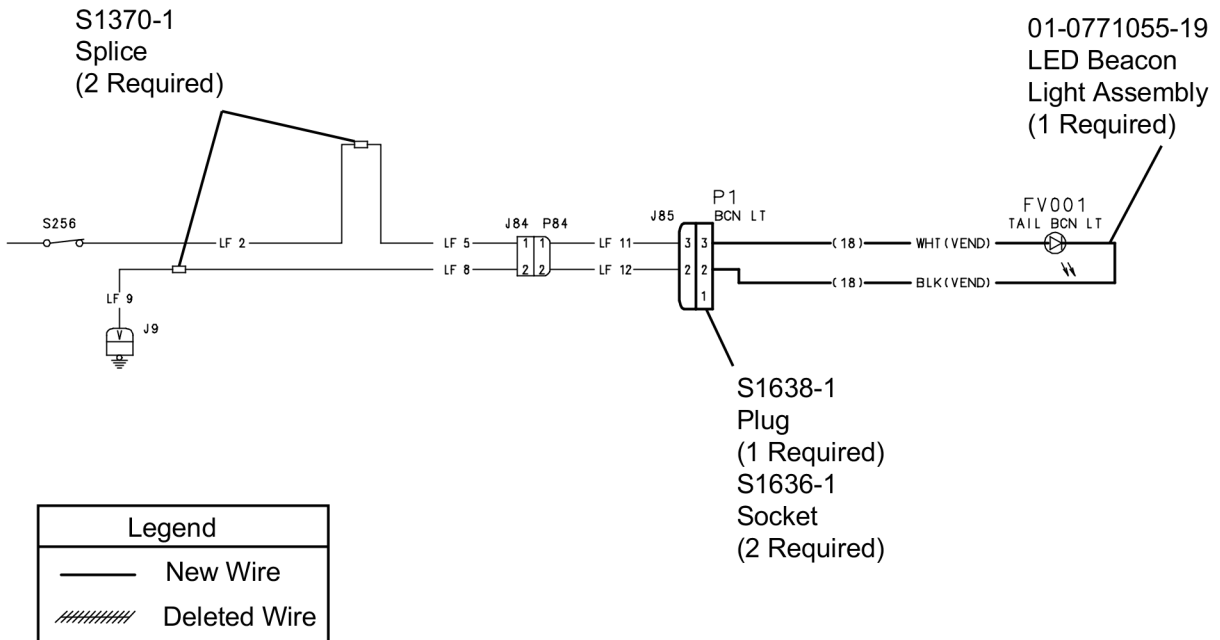
Figure 1. LED Beacon Installation (Sheet 1)

2610T7004  
AA2638T1001

A97786



Before Modification  
 Airplanes 208 -0001 thru -0499, 208B -0001 thru -1999



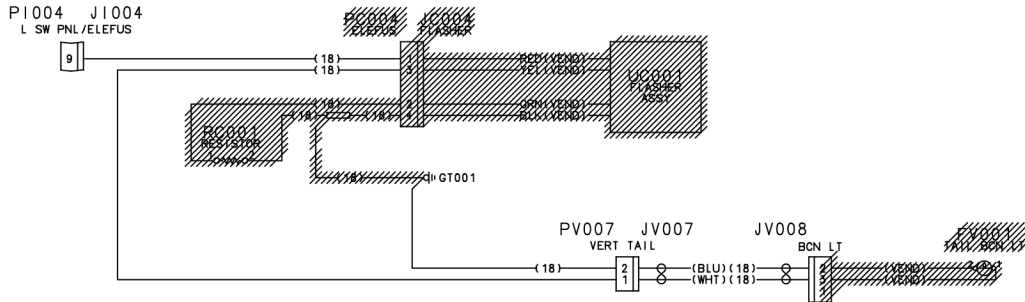
Legend	
	New Wire
	Deleted Wire

After Modification  
 Airplanes 208 -0001 thru -0499, 208B -0001 thru -1999

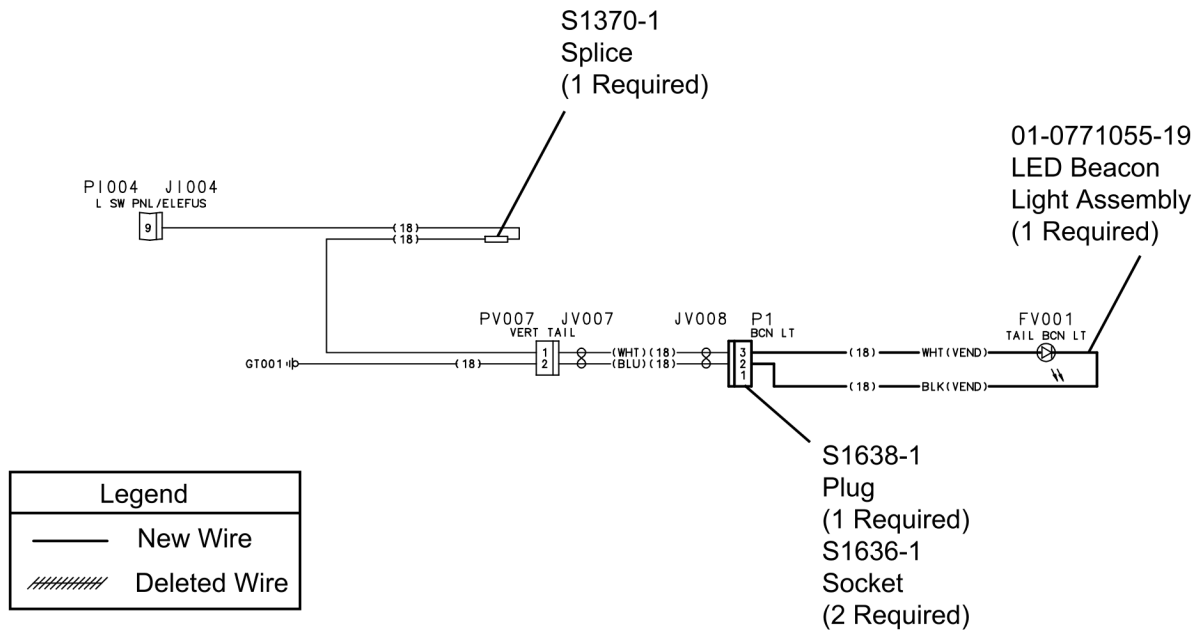
Figure 2. (Sheet 1)

2697388

A107105



Before Modification  
 208 -0500 thru -0663 and 208B -2000 thru -4999



After Modification  
 208 -0500 thru -0663 and 208B -2000 thru -4999

2697388

Figure 2. (Sheet 2)

**MATERIAL INFORMATION**

Order the kits below to install this modification.

NEW P/N	QUANTITY	KEY WORD	OLD P/N	INSTRUCTIONS/ DISPOSITION
<b>CAB-33-01</b>	1	<b>Kit</b> , consisting of the following parts:		
MS24694-S4	2	Screw - Beacon Light	AN515-8R8	Discard
S1370-1	2	Splice	N/A	
S1636-1	2	Contact Socket	N/A	
S1638-1	1	Plug	N/A	
S2209-1	20	Tie Straps	N/A	
S4111-1A	5	ID Tag, Blank	N/A	
S4111-2A	1	ID Tag, Blank	N/A	
01-0771055-19	1	Beacon Light	C621001-0102	Discard
CAB-33-01	1	Instructions		

**NOTE:** The kit may have extra parts for some airplane configurations.

\* Please contact Textron Aviation Parts Distribution for current cost and availability of parts listed in this service document. Phone at 1-800-835-4000 (Domestic) or 1-316-517-5603 (International). Send email to: [parts@txtav.com](mailto:parts@txtav.com).

Based on availability and lead times, parts may require advanced scheduling.





**TITLE**

LIGHTS - LED BEACON INSTALLATION

**TO:**

Cessna Model 208 and 208B Aircraft Owner

**REASON**

The incandescent beacon light (ground recognition) can be replaced with an LED beacon light.

**COMPLIANCE**

OPTIONAL. This service document can be accomplished at the discretion of the owner.

**LABOR HOURS****WORK PHASE**

Modification

**LABOR-HOURS**

As Necessary

**MATERIAL AVAILABILITY**

No part are required to complete this service document.

**PART NUMBER**

CAB-33-01

**AVAILABILITY**

\*

**COST**

\*

\* Please contact Textron Aviation Parts Distribution for current cost and availability of parts listed in this service document. Phone at 1-800-835-4000 (Domestic) or 1-316-517-5603 (International). Send email to: [parts@txtav.com](mailto:parts@txtav.com).

Based on availability and lead times, parts may require advanced scheduling.

**WARRANTY**

None

**NOTE:** As a convenience, service documents are now available online to all our customers through a simple, free-of-charge registration process. If you would like to sign up, please visit the Customer Access link at [www.txtavsupport.com](http://www.txtavsupport.com) to register.

