

**TITLE**

FUSELAGE - TAILCONE ACCESS DOOR WATER DRAINAGE IMPROVEMENT MODIFICATION

**EFFECTIVITY****MODEL**Model 700 (Citation  
Longitude)**SERIAL NUMBERS**

-0001 thru -0031

The equivalent of this service document has been incorporated on production airplanes -0032 and On.

**REASON**

To add a drain hole in the aft fairing tub assembly to prevent water collection on the tailcone access door.

**DESCRIPTION**

This service bulletin provides instructions to drill a 0.250 inch (6.35 mm) diameter drain hole in the aft fairing tub assembly that will prevent water collection on the tailcone access door.

**COMPLIANCE**

DISCRETIONARY. This service document can be accomplished at the discretion of the owner.

A service document published by Textron Aviation may be recorded as *completed* in an aircraft log only when the following requirements are satisfied:

- 1) The mechanic must complete all of the instructions in the service document, including the intent therein.
- 2) The mechanic must correctly use and install all applicable parts supplied with the service document kit. Only with written authorization from Textron Aviation can substitute parts or rebuilt parts be used to replace new parts.
- 3) The mechanic or airplane owner must use the technical data in the service document only as approved and published.
- 4) The mechanic or airplane owner must apply the information in the service document only to aircraft serial numbers identified in the *Effectivity* section of the document.
- 5) The mechanic or airplane owner must use maintenance practices that are identified as acceptable standard practices in the aviation industry and governmental regulations.

No individual or corporate organization other than Textron Aviation is authorized to make or apply any changes to a Textron Aviation-issued service document or flight manual supplement without prior written consent from Textron Aviation.

Textron Aviation is not responsible for the quality of maintenance performed to comply with this document, unless the maintenance is accomplished at a Textron Aviation-owned Service Center.

**CONSUMABLE MATERIAL**

You must use the consumable materials that follow, or their equivalent, to complete this service document.

NAME	NUMBER	MANUFACTURER	USE
Adhesive	U000948 (EA9396)	Textron Aviation Parts Distribution 7121 Southwest Boulevard Wichita, KS 67215	To seal the edge of drilled hole.

December 9, 2020

SB700-53-01  
Page 1 of 4

Textron Aviation Customer Service, P.O. Box 7706, Wichita, KS 67277, U.S.A. 1-316-517-5800

This document contains technical data and is subject to U.S. export regulations. This information has been exported from the United States in accordance with export administration regulations. Diversion contrary to U.S. law is prohibited. ECCN: 9E991

**TOOLING**

No specialized tooling is required to complete this service document.

**REFERENCES**

Cessna Model 700 Maintenance Manual

**PUBLICATIONS AFFECTED**

None

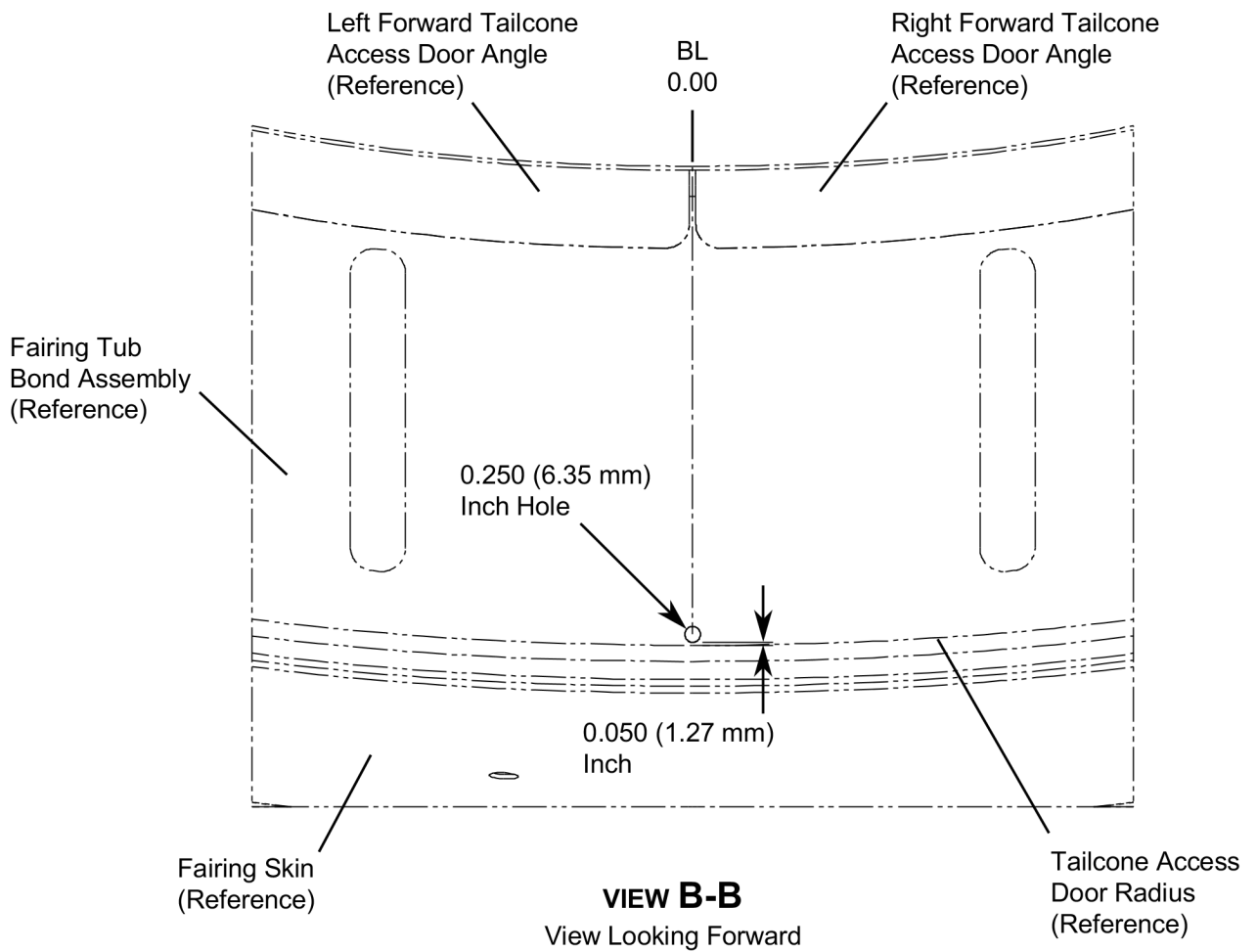
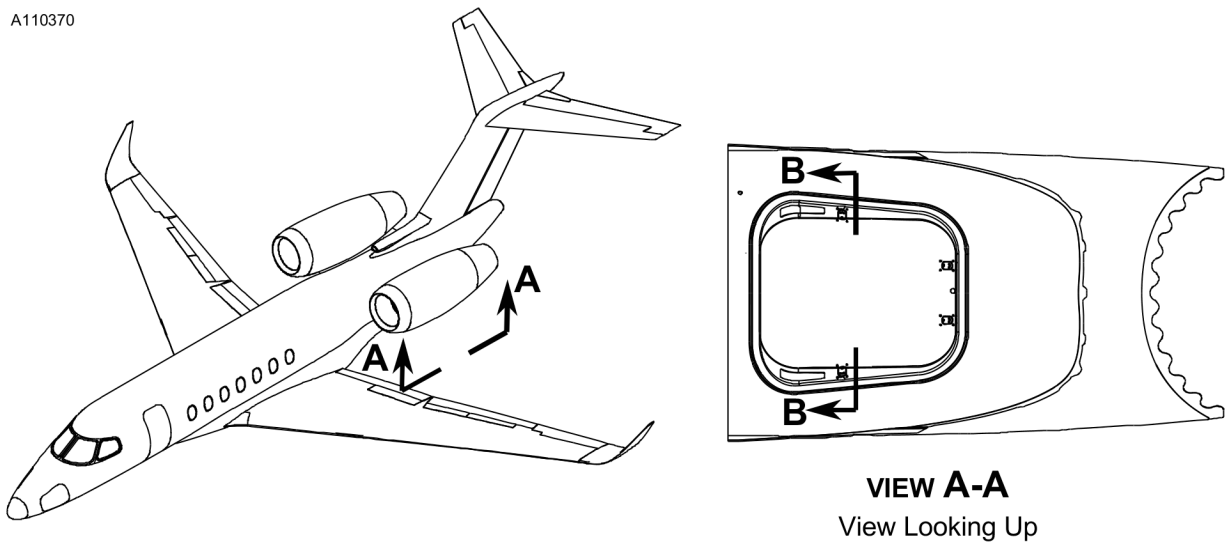
**ACCOMPLISHMENT INSTRUCTIONS**

1. Prepare the airplane for maintenance.
  - A. Make sure that the airplane is electrically grounded.
  - B. Make sure that all switches are in the OFF/NORM position.
  - C. Disconnect electrical power from the airplane.
    - (1) Disconnect the airplane batteries.
    - (2) Disconnect external electrical power.
  - D. Attach maintenance warning tags to the batteries and external power receptacle that have **"DO NOT CONNECT ELECTRICAL POWER - MAINTENANCE IN PROGRESS"** written on them.
2. (Refer to Figure 1, Detail A) Fabricate a drain hole in the aft fairing tub assembly as follows:
  - A. Open the tailcone access door. (Refer to Cessna Model 700 Maintenance Manual, Chapter 6, Dimensions and Areas - Description and Operation.)
  - B. (Refer to Figure 1, View A-A.) Using an indelible marker, mark the location of the drain hole on the fairing tub bond assembly.
  - C. Drill one 0.250 (6.35 mm) inch diameter hole at the marked location on the fairing tub bond assembly using a 0.250 (6.35 mm) inch drill bit.
  - D. Deburr the drilled hole.
  - E. Apply a thin coat of U000948 epoxy adhesive to the edge of the drilled hole.
  - F. Close the tailcone access door. (Refer to Cessna Model 700 Maintenance Manual, Chapter 6, Dimensions and Areas - Description and Operation.)
3. Remove the maintenance warning tags and connect the airplane batteries.
4. Make an entry in the airplane logbook that states compliance and method of compliance with this service document.

**NOTE:** Textron Aviation recommends that compliance with all service documents is reported to a maintenance tracking system provider.

- Complete a record of compliance. (Maintenance Transaction Report, Log Book Entry, or other record of compliance.)
- Put a copy of the completed record of compliance in the airplane logbook.
- Send a copy of the completed record of compliance to the maintenance tracking system provider used.

A110370



74101011  
7491366-1

Figure 1. Tailcone Access Door Water Drainage Hole Location (Sheet 1)

**MATERIAL INFORMATION**

No parts are required to complete this service document.



**TITLE**

FUSELAGE - TAILCONE ACCESS DOOR WATER DRAINAGE IMPROVEMENT MODIFICATION

**TO:**

Cessna Model 700 Aircraft Owner

**REASON**

To add a drain hole in the aft fairing tub assembly to prevent water collection on the tailcone access door.

**COMPLIANCE**

DISCRETIONARY. This service document can be accomplished at the discretion of the owner.

**LABOR HOURS**

WORK PHASE	LABOR-HOURS
Modification	1.0

**MATERIAL AVAILABILITY**

No parts are required to complete this service document.

**WARRANTY**

Eligible airplanes exhibiting conditions described in this service document may demonstrate improved operation by incorporation of the work described herein. This service document is to be accomplished at the *discretion* of the owner. Eligible airplanes may qualify for parts and labor coverage to the extent noted in the *Labor Hours* and *Material Availability* sections of this document.

**Eligibility:** Airplanes identified within the serial number effectivity of this service document must have active Airframe warranty coverage on the original issue date of this document and the coverage must be active on the day the work is accomplished.

**Parts Coverage:** Textron Aviation-owned and Textron Aviation-authorized Service Facilities, operators, or other maintenance facilities may submit a claim for the parts required to accomplish this service document as defined in the *Material Availability* section of this document.

**Labor Coverage:** Textron Aviation-owned and Textron Aviation-authorized Service Facilities rated to perform maintenance on the specific model of Cessna Aircraft may submit a claim for the labor necessary to accomplish this service document as defined in the *Labor Hours* section of this document.

**Credit Application:** After this service document has been accomplished, a claim must be submitted to Textron Aviation within 30 days of the service document completion. Claims for compliance of this service document are to be filed as a W3 type claim.

Please submit your claim form online at [ww2.txtav.com/Parts](http://ww2.txtav.com/Parts) or email the completed Textron Aviation Claim Form to [warranty@txtav.com](mailto:warranty@txtav.com). If submitted on-line a Return Authorization will be provided. If a paper claim is submitted your claim will be entered into the system and a Return Authorization will be sent to you.

The Return Authorization must accompany any required return parts (see *Material Availability*), to the point of purchase.

Parts to be returned to Textron Aviation Parts Distribution should be forwarded to:

Textron Aviation Parts Distribution  
Warranty Administration  
285 South Greenwich Road  
Bldg B89, Docks 1-4  
Wichita, KS 67206  
USA

**Expiration:** December 31, 2022 (after this date the owner/operator assumes the responsibility for compliance costs)

Textron Aviation reserves the right to void continued airplane warranty coverage for the parts affected by this service document until the service document is accomplished.

**NOTE:** As a convenience, service documents are now available online to all our customers through a simple, free-of-charge registration process. If you would like to sign up, please visit the Customer Access link at [www.txtavsupport.com](http://www.txtavsupport.com) to register.

