

TEXTRON AVIATION INC.  
AIRCRAFT DIVISION  
WICHITA, KANSAS 67277

# **STALL WARNING HORN OBSOLESCENCE**

## **ICA Supplement**

**MODEL NO: 208**

**SUPPLEMENT NO: ICA-208-30-00005**

**SUPPLEMENT DATE: 11/23/2020**

TEXTRON AVIATION INC.  
AIRCRAFT DIVISION  
WICHITA, KANSAS 67277

**REVISIONS**

ICA-208-30-00005	Rev: -	Date: Nov 23/2020
ICA Summary	Pages 1-6	
<b>Manuals Affected</b>	<b>Description</b>	<b>Title</b>
Appendix A: Illustrated Parts Catalog	See Appendix A, Table 1	
Appendix B: Model 208/208B Wiring Diagram Manual	30-80-02 Figure 05 Pages 1-4, Figure 06 Pages1-4,	Stall Warning Heated Detector

**1. Export Compliance**

- A. This publication contains technical data and is subject to U.S. export regulations. This information has been exported from the United States in accordance with export administration regulations. Diversion contrary to U.S. law is prohibited.

ECCN: 9E991

**2. Revision Bars**

- A. Revision bars in this ICA supplement identify new ICAs and/or changes to the current ICAs in the released maintenance manual.
- New ICAs that are not in the current maintenance manual will have a revision bar from top to bottom along the left margin.
  - ICAs that are in the current maintenance manual and have information added, deleted or revised will have a revision bar(s) in the left margin adjacent to the added, deleted or revised information.
  - New or changed illustrations will have a change bar for the entire length of the page.

**3. Page Numbering**

- A. The page number system for ICA included in this supplement have three-element numbers that are separated by dashes. The three-element number is found at the bottom right corner of the page, left of the page number. The date is found below the page number.

A95000

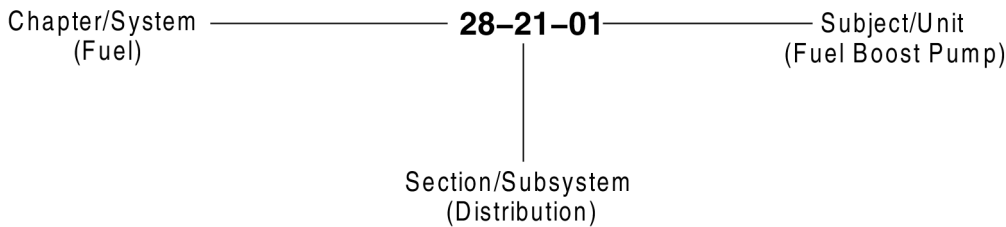


Figure 1

- B. When the chapter/system element number is followed with zeros in the section/subsystem and subject/unit element number (28-00-00), the information is applicable to the entire system.

TEXTRON AVIATION INC.  
AIRCRAFT DIVISION  
WICHITA, KANSAS 67277

- C. When the section/subsystem element number is followed with zeros in the subject/unit element number (28-21-00), the information is applicable to the subsystems in the system.
- D. The subject/unit element number is used to identify information applicable to units in the subsystems. The subject/unit element number continues in sequence from the number -01- with the number of subsystem units in which maintenance information is necessary.
- E. All system/subsystem/unit (chapter/section/subject) maintenance data is separated into specified types of information: Description and Operation, Troubleshooting, Maintenance Practices, etc. Blocks of page numbers that are in sequence are used to identify the type of information:
  - (1) Description and Operation or Troubleshooting information may not be included if the procedure is easy. When subtopics are short, they may be put together into the Maintenance Practices section. Maintenance Practices can have a mix of subtopics that includes information to service, remove, install, adjust, test, clean, paint or do approved repairs.
  - (2) Longer procedures that are not as easy to do may be included in a specified section.
    - Page 1 through 99 - Description and Operation
    - Page 101 through 199 - Troubleshooting
    - Page 201 through 299 - Maintenance Practices
    - Page 301 through 399 - Servicing
    - Page 401 through 499 - Removal/Installation
    - Page 501 through 599 - Adjustment/Test
    - Page 601 through 699 - Inspection/Check
    - Page 701 through 799 - Cleaning/Painting
    - Page 801 through 899 - Approved Repairs
- F. A typical page number:

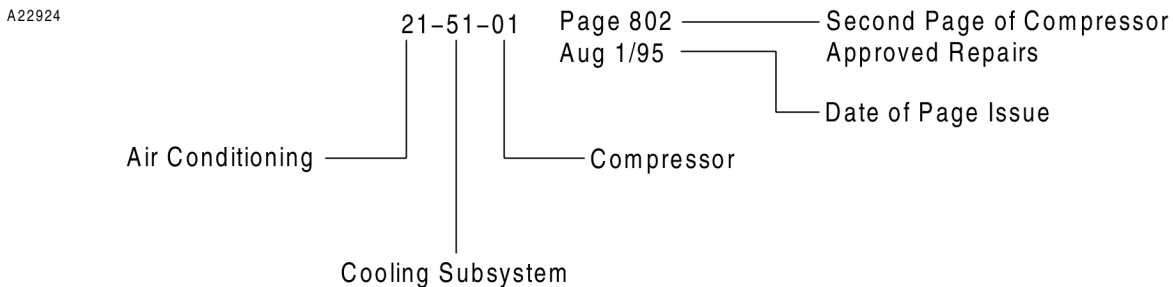


Figure 2

- G. Illustrations use the same figure numbers as the page block in which they appear. For example, Figure 202 would be the second figure in a Maintenance Practices section.

**4. Supplement Revisions**

- A. Revisions to this supplement may be accomplished if changes to this supplement are required after release of the original issue and prior to incorporation into the manuals listed in the REVISIONS table.
- B. All revisions to this supplement will have changes identified in detail in the revision block(s) above.
- C. All pages in this ICA supplement will have the same date and are valid as of the date shown.

**5. ICA Incorporation into Applicable Manuals**

**NOTE:** Most ICA supplements will be incorporated in the next available revision to the manuals listed above and should be used in conjunction with those manuals until the next available revision is released.

- A. The ICA Supplement List located in the Introduction section of each manual listed in the REVISIONS table will indicate the incorporation status as of the release date of the published revision.

TEXTRON AVIATION INC.  
AIRCRAFT DIVISION  
WICHITA, KANSAS 67277

- B. The manual revision level of the supplement incorporation will be listed in the "Manual Incorporation Status" column in the ICA Supplement List, when those ICAs associated with that manual have been incorporated. After ICAs are incorporated, the manual that they are incorporated in must now be used for those ICAs instead of the supplement.
- Based on revision cycle times for the affected manuals, MM ICAs, WDM ICAs, etc. in this supplement may be incorporated in the manuals at different times.
  - There will not be a revision to this supplement to indicate incorporation in the manuals. Users are required to check the ICA Supplement List for each manual affected to determine incorporation status.
- C. This supplement will be completely superseded by the manuals listed in the REVISIONS table when it has been incorporated in all of the manuals.

## INTRODUCTION

### 1. Purpose

- A. The purpose of this Supplement is to provide the maintenance technician with the information necessary to ensure the correct functionality and performance of the STALL WARNING HORN OBSOLESCENCE on the Cessna Model 208/208B until this information gets incorporated into the next revision to the manuals listed in the "REVISIONS" section of this supplement.
- B. This ICA supplement is designed to satisfy the requirements of 14 CFR 23.1529 "Instructions for Continued Airworthiness" associated with this installation. This document is a supplement to the Model 208/208B Wiring Diagram Manual and will be incorporated in the next revision to the manual.
- C. When this information is incorporated in the next revision to the manuals listed in the "REVISIONS" section, those manuals shall take precedence over this supplemental document. Refer to the "ICA Supplement List" in the "Introduction" section of the respective manual for the status of all applicable ICA Supplements.
- D. Revisions to this supplement may occur if there is a change to any of the ICAs in this supplement prior to incorporation into all of the affected manuals.

**NOTE:** This document must be placed with the aircraft operator's Technical Library CD-ROM or Model 208/208B Maintenance Manual and 208/208B Wiring Diagram Manual and incorporated into the operator's scheduled maintenance program.

### 2. Effectivity

- A. These Instructions for Continued Airworthiness (ICA) are effective for the following aircraft model and serialization.

Model	Beginning Effectivity	Ending Effectivity
208	-000671	and On
208B	002197 and -005619	and On

### 3. Complete ICA Documents

- A. The following document(s), in conjunction with this supplement, constitute the Instructions for Continued Airworthiness for the STALL WARNING HORN OBSOLESCENCE on the Cessna Model 208/208B. All items must be available to the operator at initial delivery.
  - (1) Model 208/208B Maintenance Manual
  - (2) Model 208/208B Wiring Diagram Manual

### 4. System Components

- A. Refer to Appendix B: Wiring Diagram Manual.

TEXTRON AVIATION INC.  
AIRCRAFT DIVISION  
WICHITA, KANSAS 67277

**LIST OF INSTRUCTIONS FOR CONTINUED AIRWORTHINESS**

**1. Model 208/208B Wiring Diagram Manual**

A. Chapter 30, Ice and Rain Protection

- (1) ATA 30-80-02, Stall Warning Heated Detector, Figure 05 and Figure 06, pages 1-4

**INSPECTION PROGRAM AND AIRWORTHINESS LIMITATIONS**

**1. Continuous Inspection Program**

- A. This ICA Supplement does not affect the current inspection program.

**2. Airworthiness Limitations**

- A. Cessna Aircraft Company Model 208/208B Maintenance Manual, Chapter 4, Airworthiness Limitations, contains the system and airframe limitations for the Model 208/208B.

**NOTE:** The Airworthiness Limitations section is FAA-approved and specifies maintenance required under Section 43.16 and 91.403 of Title 14 Code of Federal Regulations, unless an alternative program has been FAA approved.

- (1) There are no new (or additional) airworthiness limitations associated with this equipment and/or installation.

TEXTRON AVIATION INC.  
AIRCRAFT DIVISION  
WICHITA, KANSAS 67277

**SUPPLEMENT NO: ICA-208-30-00005**

**APPENDIX A: ILLUSTRATED PARTS CATALOG**

<b>Nomenclature</b>	<b>Part Number</b>	<b>Quantity</b>
Horn Assembly	1670056-4 (SC648NDR)	01



TEXTRON AVIATION INC.  
AIRCRAFT DIVISION  
WICHITA, KANSAS 67277

**SUPPLEMENT NO: ICA-208-30-00005**  
**APPENDIX B: WIRING DIAGRAM MANUAL**

CESSNA®  
**MODEL 208 SERIES**  
WIRING DIAGRAM MANUAL

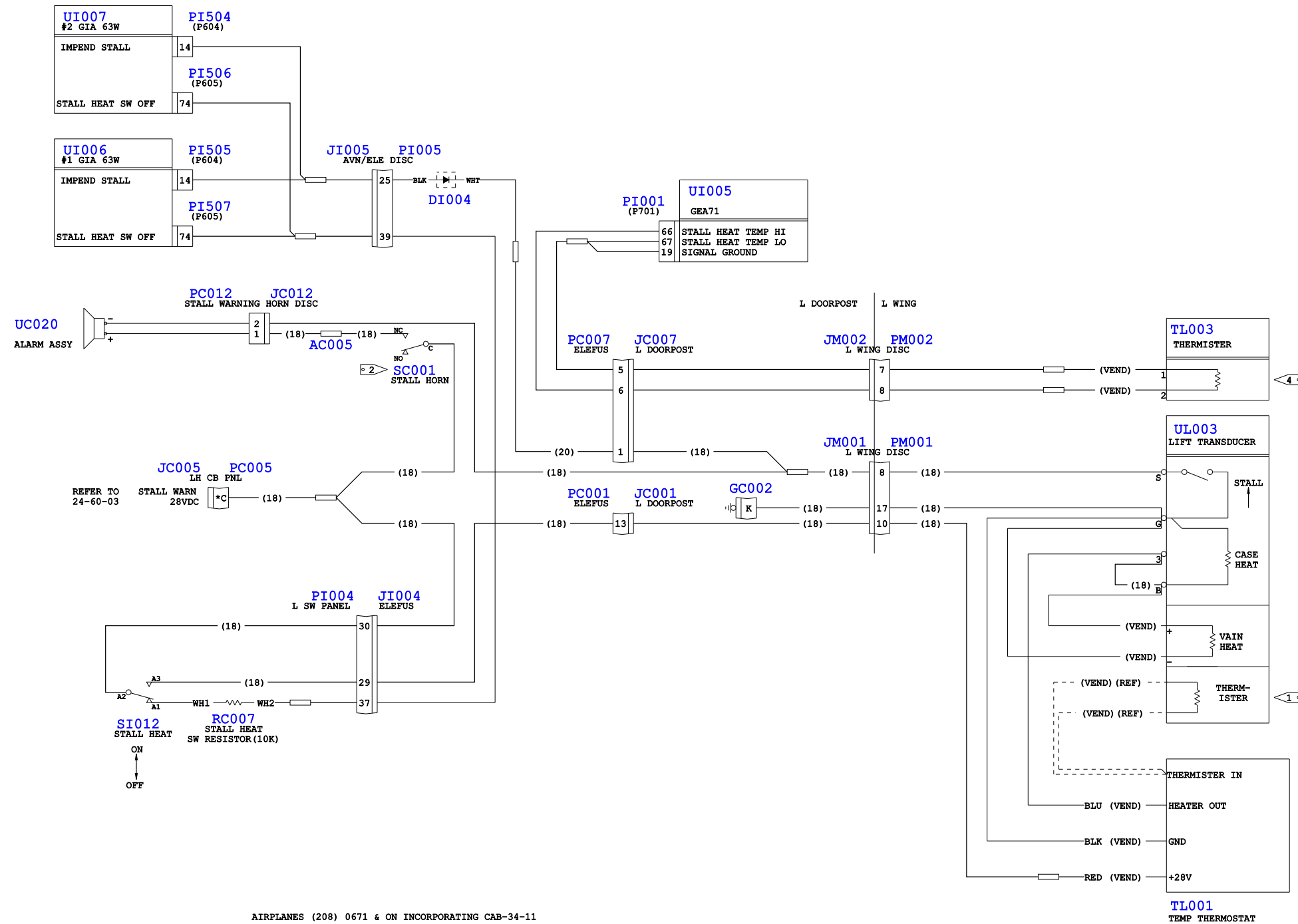
# **30-80-02**

## **STALL WARNING HEATED DETECTOR** **AIRPLANES (208) 0671 & ON**

CESSNA®  
**MODEL 208 SERIES**  
 WIRING DIAGRAM MANUAL

**NOTES:**

- ① SUPPLIED WITH TL001 THERMOSTAT. MOUNT TO PLATE OF DETECTOR.
- ② SWITCH SHOWN WITH AIRCRAFT ON GROUND AND YOKE IN FORWARD POSITION.
- ④ MOUNT ON TOP OF THERMISTER INCLUDED WITH TL001 THERMOSTAT.



AIRPLANES (208) 0671 & ON INCORPORATING CAB-34-11

2677200F4

**STALL WARNING HEATED DETECTOR**  
 Figure 05. (Sheet 1)

CESSNA®  
**MODEL 208 SERIES**  
 WIRING DIAGRAM MANUAL

**STALL WARNING HEATED DETECTOR**  
**AIRPLANES (208) 0671 & ON**

REF DES	PART NUMBER	NOMENCLATURE							EFFECTIVITY	UNITS PER ASSY	
		1	2	3	4	5	6	7			
AC005	M81824/1-2	SPLICE							(208) 0671 & ON	01	
DI004	S3106-4	DIODE ASSEMBLY							(208) 0671 & ON	01	
GC002	S2526-2	GROUND BLOCK							00779	(208) 0671 & ON	01
		FOR SPARES ORDER (MUST REPLACE WITH): S2526-1									
	S2526-1	CONNECTOR, GROUND							(208) 0671 & ON	01	
	S2099-8	. CONTACT								02	
JC001	S2350-3	RECEPTACLE							(208) 0671 & ON	01	
	S2351-1	. BACKSHELL								01	
	S2099-4	. CONTACT								AR	
JC005	200277-2	CONNECTOR - LEFT CB PNL							00779	(208) 0671 & ON	01
	S2099-12	. CONTACT								01	
	S2099-3	. CONTACT								01	
JC007	S2350-4	CONNECTOR							(208) 0671 & ON	01	
	S2351-3	. CLAMP								01	
	S2353-5	. PIN								AR	
JC012	S2035-2	CONNECTOR							(208) 0671 & ON	01	
	S1636-1	. CONTACT								AR	
JI004	206151-1	CONNECTOR							00779	(208) 0671 & ON	01
	S2351-4	. CLAMP								AR	
	S2353-5	. PIN								AR	
JI005	205843-1	CONNECTOR - AVN/ELE DISC							00779	(208) 0500 & ON (208B) 2000 & ON	01
	S2351-4	. CLAMP								01	
	M39029/64-369	. CONTACT PIN							28198		01
JM001	S2350-8	CONNECTOR							(208) 0671 & ON	01	
	S2351-4	. CLAMP								01	
	S2353-5	. PIN								AR	
JM002	S2350-9	CONNECTOR							(208) 0671 & ON	01	
	S2353-5	. PIN								03	
PC001	S2349-1	PLUG							00779	(208) 0671 & ON	01
	S2351-1	. BACKSHELL								01	
	S2353-5	. CONTACT								AR	
PC005	200276-2	CONNECTOR - LEFT CB PNL							00779	(208) 0671 & ON	01
	S2353-3	. PIN							00779		01
	S2353-5	. PIN									01
PC007	S2349-3	PLUG							(208) 0671 & ON	01	
	S2351-3	. CLAMP								01	
	S2099-4	. CONTACT								AR	
PC012	S2035-1	HOUSING							(208) 0671 & ON	01	
PI001	336-00044-00	CONNECTOR							OTRC3	(208) 0671 & ON	01
PI004	S2414-1	CONNECTOR							(208) 0671 & ON	01	
	S2351-4	. CLAMP								AR	
	S2099-8	. PIN								AR	
PI005	205842-1	CONNECTOR							00779	(208) 0671 & ON	01
	S2351-4	. CLAMP								AR	
	M39029/63-368	. SOCKET CONTACT							28198		AR
PI504		CONNECTOR									RF
PI505		CONNECTOR									RF

Figure 05  
Page 3

**30-80-02**

CESSNA®  
**MODEL 208 SERIES**  
 WIRING DIAGRAM MANUAL

**STALL WARNING HEATED DETECTOR**

**AIRPLANES (208) 0671 & ON**

REF DES	PART NUMBER	NOMENCLATURE							EFFECTIVITY	UNITS	
		1	2	3	4	5	6	7		PER ASSY	
PI506	050-01756-0004	CONNECTOR							(208) 0671 & ON	01	
PI507		CONNECTOR								RF	
PM001	S2349-5	CONNECTOR							(208) 0671 & ON	01	
	S2351-4	.	CLAMP							01	
	S2099-4	.	CONTACT							AR	
PM002	S2349-3	PLUG							(208) 0671 & ON	01	
	S2099-3	.	CONTACT							03	
RC007	S3105-8	RESISTOR ASSEMBLY							(208) 0671 & ON	01	
SC001	MS25253-1	SWITCH - STALL HORN DISC					96906	(208) 0671 & ON	01		
SI012	S382-3	SWITCH - STALL HEAT					11139	(208) 0671 & ON	01		
TL001	17-260A	THERMOSTAT - PITOT TUBE					62219	(208) 0671 & ON	01		
TL003	1U667-001	THERMISTOR PROBE							(208) 0671 & ON	01	
UC020	SC648NDR	HORN							37942	(208) *0671 & ON	01
		* AIRPLANES (208) 0671 & ON INCORPORATING CAB-34-11									
UI005	011-00797-03	GEA71							(208) 0671 & ON	01	
UI006		GIA - 63W								RF	
UI007		GIA - 63W								RF	
UL003	799-1	LIFT TRANSDUCER					83326	(208) 0671 & ON	01		

CESSNA®  
**MODEL 208 SERIES**  
WIRING DIAGRAM MANUAL

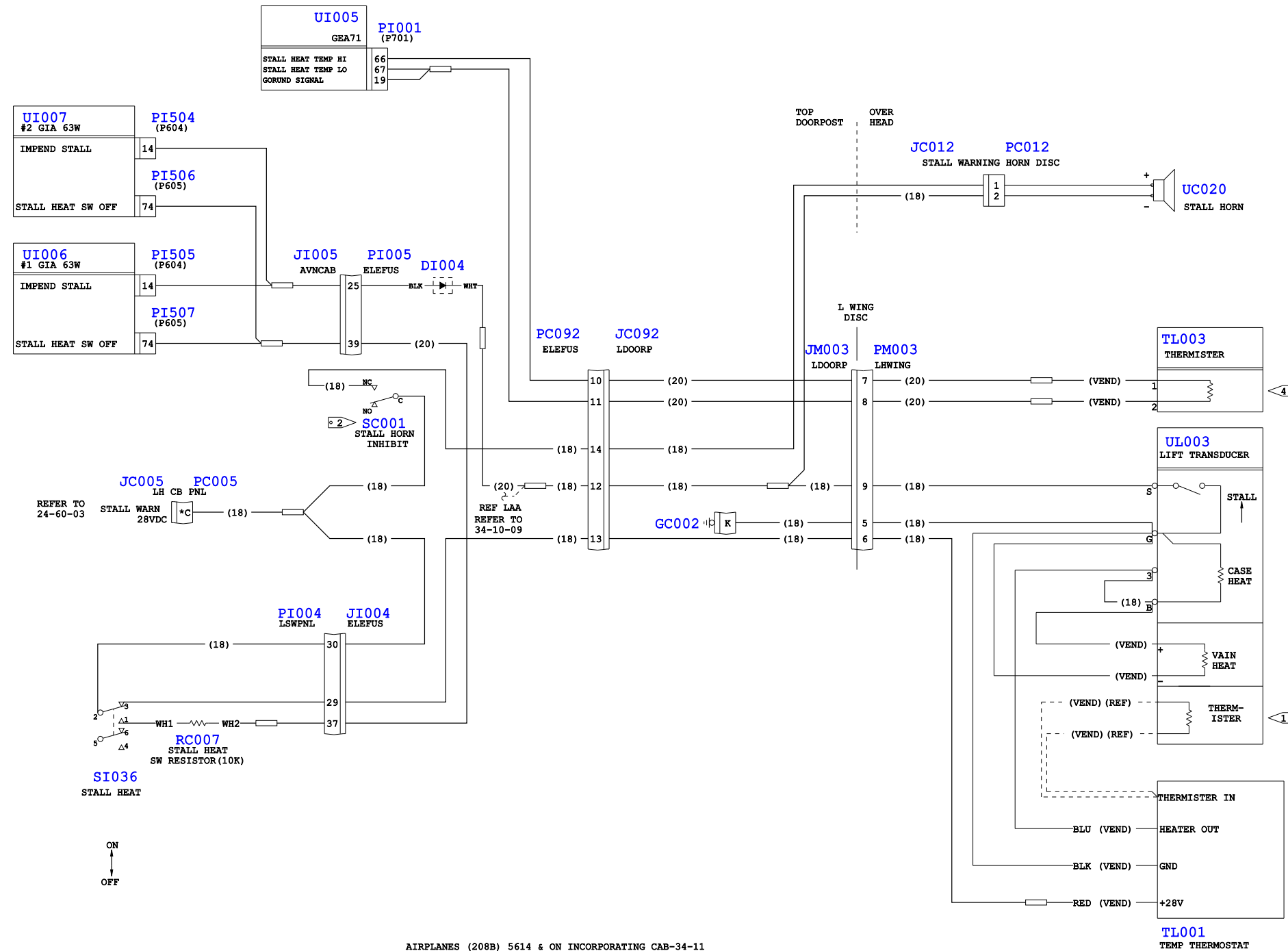
# **30-80-02**

## **STALL WARNING HEATED DETECTOR** **AIRPLANES (208B) 5614 & ON**

CESSNA®  
**MODEL 208 SERIES**  
 WIRING DIAGRAM MANUAL

**NOTES:**

- ① SUPPLIED WITH TL001 THERMOSTAT. MOUNT TO PLATE OF DETECTOR.
- ② SWITCH SHOWN WITH AIRCRAFT ON GROUND AND YOKE IN FORWARD POSITION.
- ④ MOUNT ON TOP OF THERMISTER INCLUDED WITH TL001 THERMOSTAT.



AIRPLANES (208B) 5614 & ON INCORPORATING CAB-34-11

2677200F5

**STALL WARNING HEATED DETECTOR**  
 Figure 06. (Sheet 1)

CESSNA®  
**MODEL 208 SERIES**  
 WIRING DIAGRAM MANUAL

**STALL WARNING HEATED DETECTOR**  
**AIRPLANES (208B) 5614 & ON**

REF DES	PART NUMBER	NOMENCLATURE							EFFECTIVITY	UNITS PER ASSY	
		1	2	3	4	5	6	7			
DI004	S3106-4	DIODE ASSEMBLY								(208B) 5614 & ON	01
GC002	S2526-2	GROUND BLOCK							00779	(208B) 5614 & ON	01
		FOR SPARES ORDER (MUST REPLACE WITH):									
	S2526-1	S2526-1									
	S2526-1	CONNECTOR, GROUND								(208B) 5614 & ON	01
	S2099-8	. CONTACT									02
JC005	200277-2	CONNECTOR - LEFT CB PNL							00779	(208B) 5614 & ON	01
	S2099-12	. CONTACT									01
	S2099-3	. CONTACT									01
JC012	S2035-2	CONNECTOR								(208B) 5614 & ON	01
	S1636-1	. CONTACT									AR
JC092	S2350-3	RECEPTACLE								(208B) 5614 & ON	01
	S2351-1	. BACKSHELL									01
	S2353-4	. PIN									AR
	S2353-5	. PIN									AR
JI004	206151-1	CONNECTOR							00779	(208B) 5614 & ON	01
	S2351-4	. CLAMP									AR
	S2353-5	. PIN									AR
JI005	205843-1	CONNECTOR - AVN/ELE DISC							00779	(208) 0500 & ON (208B) 2000 & ON	01
	S2351-4	. CLAMP									01
	M39029/64-369	. CONTACT PIN							28198		01
JM003	S2350-1	CONNECTOR								(208B) 5614 & ON	01
	S2351-1	. BACKSHELL									01
	S2353-4	. PIN									AR
	S2353-5	. PIN									AR
PC005	200276-2	CONNECTOR - LEFT CB PNL							00779	(208B) 5614 & ON	01
	S2353-3	. PIN							00779		01
	S2353-5	. PIN									01
PC012	S2035-1	HOUSING								(208B) 5614 & ON	01
PC092	S2349-1	PLUG							00779	(208B) 5614 & ON	01
	S2351-1	. BACKSHELL									01
	S2099-3	. CONTACT									AR
	S2099-4	. CONTACT									AR
PI001	336-00044-00	CONNECTOR							0TRC3	(208B) 5614 & ON	01
PI004	S2414-1	CONNECTOR								(208B) 5614 & ON	01
	S2351-4	. CLAMP									AR
	S2099-8	. PIN									AR
PI005	205842-1	CONNECTOR							00779	(208B) 5614 & ON	01
	S2351-4	. CLAMP									AR
	M39029/63-368	. SOCKET CONTACT							28198		AR
PI504		CONNECTOR									RF
PI505		CONNECTOR									RF
PI506	050-01756-0004	CONNECTOR								(208B) 5614 & ON	01
PI507		CONNECTOR									RF
PM003	S2349-1	PLUG							00779	(208B) 5614 & ON	01
	S2351-1	. BACKSHELL									01
	S2099-3	. CONTACT									AR
	S2099-4	. CONTACT									AR



CESSNA®  
**MODEL 208 SERIES**  
 WIRING DIAGRAM MANUAL

**STALL WARNING HEATED DETECTOR**  
**AIRPLANES (208B) 5614 & ON**

REF DES	PART NUMBER	NOMENCLATURE							EFFECTIVITY	UNITS	
		1	2	3	4	5	6	7		PER ASSY	
RC007	S3105-8	RESISTOR ASSEMBLY							(208B) 5614 & ON	01	
SC001	MS25253-1	SWITCH - STALL HORN DISC							96906	(208B) 5614 & ON	01
SI036	MS24524-23	SWITCH							81640	(208B) 5614 & ON	01
TL001	17-260A	THERMOSTAT - PITOT TUBE							62219	(208B) 5614 & ON	01
TL003	1U667-001	THERMISTOR PROBE								(208B) 5614 & ON	01
UC020	SC648NDR	HORN							37942	(208B) *5614 & ON	01
		* AIRPLANES (208B) 5614 & ON INCORPORATING CAB-34-11									
UI005	011-00797-03	GEA71								(208B) 5614 & ON	01
UI006		GIA - 63W									RF
UI007		GIA - 63W									RF
UL003	799-1	LIFT TRANSDUCER							83326	(208B) 5614 & ON	01