

TITLE

LANDING GEAR - MAIN LANDING GEAR REPAIR

EFFECTIVITY**MODEL**

525B

SERIAL NUMBERS

-0001 and On

REASON

To notify operators that Textron Aviation has developed, tested and certified repairs that can be accomplished on the main landing trunnion and trailing link gear components.

DESCRIPTION

This service document provides instructions for reporting damage, rental gear ordering and repair processing.

COMPLIANCE

INFORMATIONAL. This service document is for informational purposes only.

No individual or corporate organization other than Textron Aviation is authorized to make or apply any changes to a Textron Aviation-issued service document or flight manual supplement without prior written consent from Textron Aviation.

Textron Aviation is not responsible for the quality of maintenance performed to comply with this document, unless the maintenance is accomplished at a Textron Aviation-owned Service Center.

CONSUMABLE MATERIAL

No specialized consumable materials are required to complete this service document.

TOOLING

No specialized tooling is required to complete this service document.

WEIGHT AND BALANCE INFORMATION

Negligible

REFERENCES

Cessna Model 525B Maintenance Manual

PUBLICATIONS AFFECTED

None

ACCOMPLISHMENT INSTRUCTIONS

1. (Refer to Figure 1, Sheet 1 and Sheet 2.) Report damage to Team Structures using the online Web SDR form located at:

<https://ww2.txtav.com/service/tasdaq>

NOTE: Other damage areas should also be reported for assessment of repairability.

2. Complete the online web landing gear repair quote request form at:

<https://ww2.txtav.com/Parts/PartsRepair/LandingGear>

to receive a quote for main landing trunnion and trailing link gear component(s) repair.

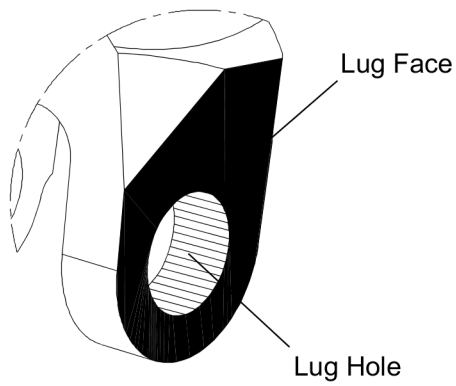
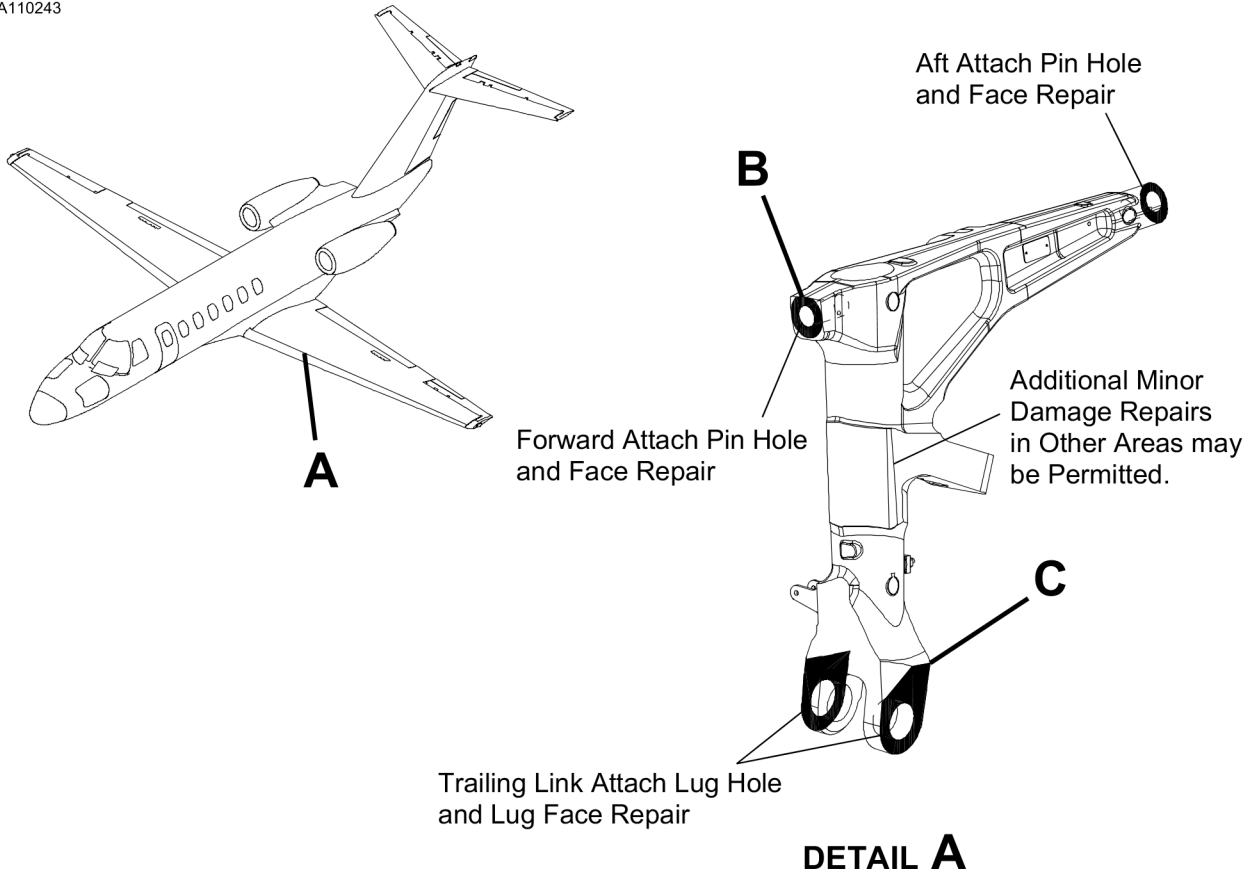
November 2, 2020

SL525B-32-14
Page 1 of 4

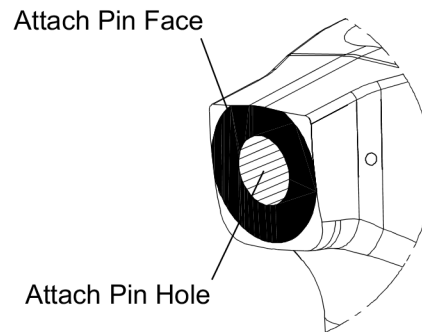
Textron Aviation Customer Service, P.O. Box 7706, Wichita, KS 67277, U.S.A. 1-316-517-5800

This document contains technical data and is subject to U.S. export regulations. This information has been exported from the United States in accordance with export administration regulations. Diversion contrary to U.S. law is prohibited. ECCN: 9E991

A110243



DETAIL C
(Enlarged for Clarity)
Inboard Attach Lug Similar

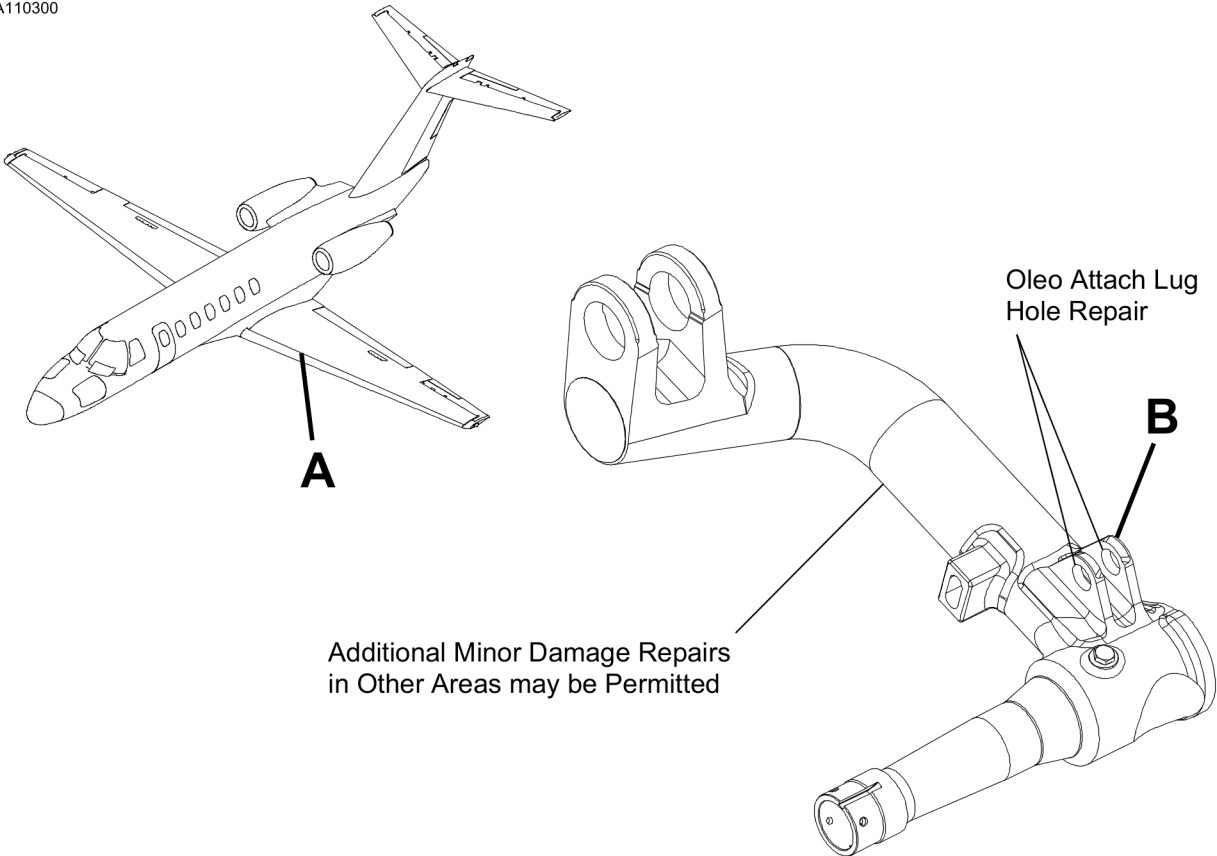


DETAIL B
(Enlarged for Clarity)
Aft Pin Attach Similar

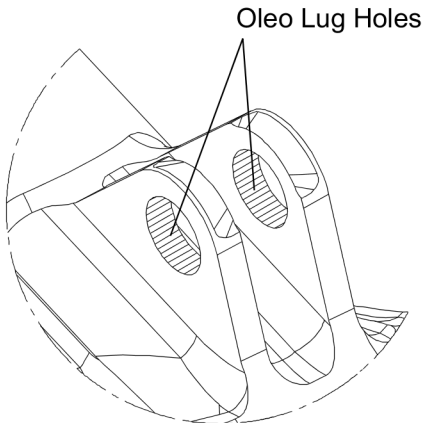
6310T1072

Figure 1. Landing Gear Assembly (Sheet 1)

A110300



DETAIL A



DETAIL B
(Enlarged for Clarity)

Figure 1. Landing Gear Assembly (Sheet 2)

6310T1072

MATERIAL INFORMATION

Contact Textron Aviation Parts Distribution Aftermarket Rotables & Repair Team if rental gear components are required while repairs are being accomplished. Textron Aviation Parts Distribution Phone 1-800-835-4000 (Domestic) or 1-316-517-5603 (International).

The existing 6341321-1, 6341321-5, 6341321-2, 6341321-6, 6341341-1, 6341341-3, 6341341-7, 6341341-2, 6341341-4, 6341341-8 may be returned to Textron Aviation Parts Distribution, Warranty Administration, 285 South Greenwich Road, Bldg B89, Docks 1-4, Wichita, KS 67206, USA, for repair or replacement. Due to limited availability, advance scheduling is required, please expedite the return of the removed part.

Based on availability and lead times, parts may require advanced scheduling.