

TITLE

DOORS - BAGGAGE DOOR TREAD MATERIAL CHANGE

EFFECTIVITY**MODEL**

680A (Citation Latitude)

SERIAL NUMBERS

-0004 and On

REASON

To provide an alternate material for the baggage door step tread.

DESCRIPTION

This service document provides parts and instructions to change the baggage door step tread material.

COMPLIANCE

OPTIONAL. This service document can be accomplished at the discretion of the owner.

A service document published by Textron Aviation may be recorded as *completed* in an aircraft log only when the following requirements are satisfied:

- 1) The mechanic must complete all of the instructions in the service document, including the intent therein.
- 2) The mechanic must correctly use and install all applicable parts supplied with the service document kit. Only with written authorization from Textron Aviation can substitute parts or rebuilt parts be used to replace new parts.
- 3) The mechanic or airplane owner must use the technical data in the service document only as approved and published.
- 4) The mechanic or airplane owner must apply the information in the service document only to aircraft serial numbers identified in the *Effectivity* section of the document.
- 5) The mechanic or airplane owner must use maintenance practices that are identified as acceptable standard practices in the aviation industry and governmental regulations.

No individual or corporate organization other than Textron Aviation is authorized to make or apply any changes to a Textron Aviation-issued service document or flight manual supplement without prior written consent from Textron Aviation.

Textron Aviation is not responsible for the quality of maintenance performed to comply with this document, unless the maintenance is accomplished at a Textron Aviation-owned Service Center.

APPROVAL

Textron Aviation received FAA approval for the technical data in this publication that changes the airplane type design.

FLIGHT CREW OPERATIONS

No Changes

CONSUMABLE MATERIAL

You must use the consumable materials that follow, or their equivalent, to complete this service document.

October 13, 2020

SB680A-52-04
Page 1 of 6

Textron Aviation Customer Service, P.O. Box 7706, Wichita, KS 67277, U.S.A. 1-316-517-5800

This document contains technical data and is subject to U.S. export regulations. This information has been exported from the United States in accordance with export administration regulations. Diversion contrary to U.S. law is prohibited. ECCN: 9E991

NAME	NUMBER	MANUFACTURER	USE
Acetone or equivalent		Commercially Available	To clean surfaces.
Masking Tape		Commercially Available	To mask off areas.

TOOLING

No specialized tooling is required to complete this service document.

WEIGHT AND BALANCE INFORMATION

Negligible

REFERENCES

Cessna Model 680A Citation Latitude Maintenance Manual

PUBLICATIONS AFFECTED

Cessna Model 680A Illustrated Parts Catalog

ACCOMPLISHMENT INSTRUCTIONS

1. Prepare the airplane for maintenance.
 - A. Make sure that the airplane is electrically grounded.
 - B. Make sure that all switches are in the OFF/NORM position.
 - C. Disconnect electrical power from the airplane.
 - (1) Disconnect external electrical power.
 - (2) Disconnect the airplane batteries.
 - D. Attach maintenance warning tags to the batteries and the external power receptacle that have "**DO NOT CONNECT ELECTRICAL POWER - MAINTENANCE IN PROGRESS**" written on them.

NOTE: This service document requires the temperature to be at least 70° F for at least 24 hours to allow for adequate cure time.

2. Do the steps that follow to remove the baggage door step material:
 - A. Open the baggage door. (Refer to the Model 680A Maintenance Manual, Chapter 52, Baggage Door - Description And Operation.)
 - B. Remove the baggage door support cables. (Refer to the Model 680A Maintenance Manual, Chapter 52, Baggage Door Support Cable - Removal/Installation.)
 - C. Remove the baggage door strut. (Refer to the Model 680A Maintenance Manual, Chapter 52, Baggage Door Strut - Removal/Installation.)
 - D. Do the steps that follow to remove the shroud on the baggage door.
 - (1) Remove the 8 screws that attach the shroud to the door.
 - (2) Carefully pull the shroud off the door.

NOTE: There is velcro that secures the upper and lower portion of the shroud to the door.
 - E. Use a heat gun to heat and remove the step tread material off of the step.
 - F. Remove excess adhesive with a cloth wet with Acetone.

CAUTION: Do not allow the step surface to exceed 160° F or damage to the step may occur.

3. Do the steps that follow to install the new step tread material:
 - A. Mask off the installation area with masking tape.

- B. Scuff the area with a scotch brite pad.
- C. Remove the masking tape.
- D. Clean the surface area with a cloth wet with acetone.

NOTE: A minimum temperature of 70° F must be maintained for adhesive to cure for 24 hours after application.

NOTE: Pressure must be applied to the step tread material for a minimum of four hours preferably for 24 hours to allow the adhesive to cure.

- E. Remove the backing material from the 3690148-2 Step Tread Material and apply to the top step surface and note time.
- F. Remove the backing material from the 3690148-3 Step Tread Material and apply to the middle step surface and note time.
- G. Remove the backing material from the 3690148-4 Step Tread Material and apply to the lower step surface and note time.
- H. Apply enough pressure to the step tread material to prevent it from lifting off the surface for a minimum of four hours, 24 hours if possible.
- I. Do the steps that follow to install the shroud on the baggage door.

- (1) Carefully put the shroud on the door.

NOTE: There is velcro that secures the upper and lower portion of the shroud to the door.

- (2) Install the 8 screws that attach the shroud to the door.

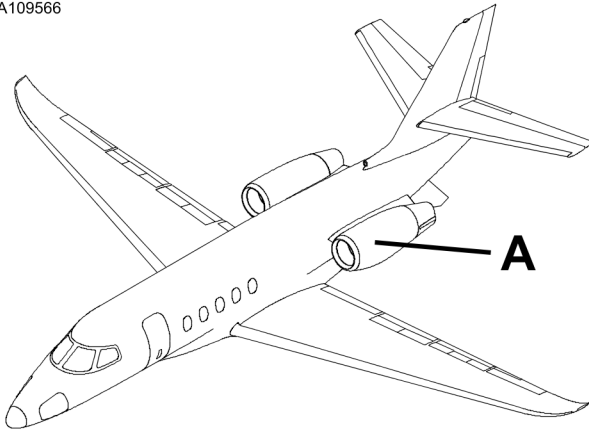
CAUTION: Do not over torque the bolts on the steps that follow.

- J. Install the baggage door support cables. (Refer to the Model 680A Maintenance Manual, Chapter 52, Baggage Door Support Cable - Removal/Installation.)
 - K. Install the baggage door strut. (Refer to the Model 680A Maintenance Manual, Chapter 52, Baggage Door Strut - Removal/Installation.)
 - L. Close the baggage door. (Refer to the Model 680A Maintenance Manual, Chapter 52, Baggage Door - Description And Operation.)
- 4. Remove the maintenance warning tags and connect the airplane batteries.
 - 5. Make an entry in the airplane logbook that states compliance and method of compliance with this service document.

NOTE: Textron Aviation recommends that compliance with all service documents is reported to a maintenance tracking system provider.

- Complete a record of compliance. (Maintenance Transaction Report, Log Book Entry, or other record of compliance.)
- Put a copy of the completed record of compliance in the airplane logbook.
- Send a copy of the completed record of compliance to the maintenance tracking system provider used.

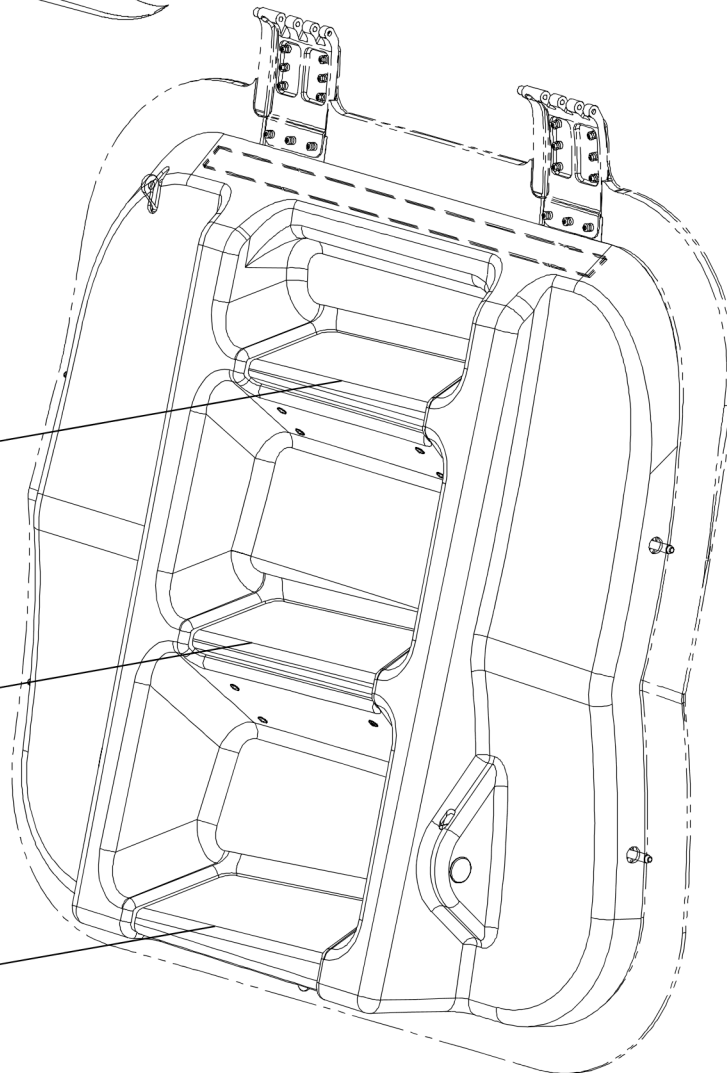
A109566



Upper Door Step Tread
Remove: 3619177-2
Install: 3690148-2

Mid Door Step Tread
Remove: 3619177-3
Install: 3690148-3

Lower Door Step Tread
Remove: 3619177-4
Install: 3690148-4

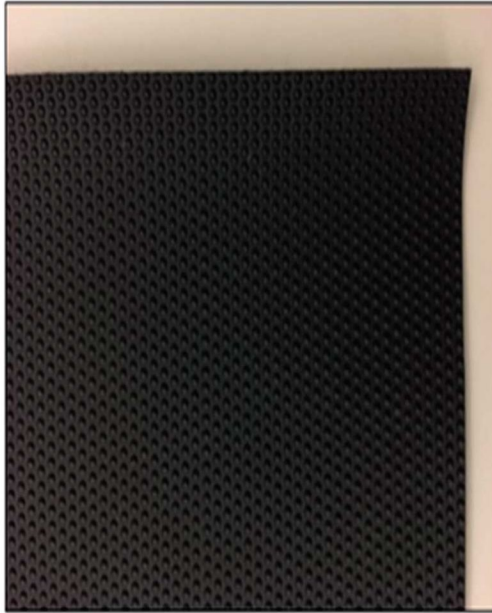


DETAIL A

Figure 1. Baggage Door Step Tread (Sheet 1)

7410T1002
A3619T176-1

A109950



Baseline



Optional

Figure 1. Baggage Door Step Tread (Sheet 2)

MATERIAL INFORMATION

Order the parts below to install this modification.

NEW P/N	QUAN- TITY	KEY WORD	OLD P/N	INSTRUCTIONS/ DISPOSITION
SB680A-52-04	1	Kit , consisting of the following parts:		
3690148-2	1	Baggage Door Step Tread - Upper	3619177-2	Discard
3690148-3	1	Baggage Door Step Tread - Mid	3619177-3	Discard
3690148-4	1	Baggage Door Step Tread - Lower	3619177-4	Discard
SB680A-52-04	1	Instructions		

* Please contact Textron Aviation Parts Distribution for current cost and availability of parts listed in this service document. Phone at 1-800-835-4000 (Domestic) or 1-316-517-5603 (International). Send email to: parts@txtav.com.

Based on availability and lead times, parts may require advanced scheduling.

TITLE

DOORS - BAGGAGE DOOR TREAD MATERIAL CHANGE

TO:

Cessna Model 680A (Citation Latitude) Aircraft Owner

REASON

To provide an alternate material for the baggage door step tread.

COMPLIANCE

OPTIONAL. This service document can be accomplished at the discretion of the owner.

LABOR HOURS**WORK PHASE**

Modification

LABOR-HOURS

As Necessary

MATERIAL AVAILABILITY**PART NUMBER**

SB680A-52-04

AVAILABILITY

*

COST

*

* Please contact a Textron Aviation Authorized Service Facility for current cost and availability of parts listed in this service document.

* Please contact Textron Aviation Parts Distribution for current cost and availability of parts listed in this service document. Phone at 1-800-835-4000 (Domestic) or 1-316-517-5603 (International). Send email to: parts@txtav.com.

Based on availability and lead times, parts may require advanced scheduling.

WARRANTY

None

NOTE: As a convenience, service documents are now available online to all our customers through a simple, free-of-charge registration process. If you would like to sign up, please visit the Customer Access link at www.txtavsupport.com to register.

October 13, 2020

SB680A-52-04
Page 1 of 1

Textron Aviation Customer Service, P.O. Box 7706, Wichita, KS 67277, U.S.A. 1-316-517-5800

This document contains technical data and is subject to U.S. export regulations. This information has been exported from the United States in accordance with export administration regulations. Diversion contrary to U.S. law is prohibited. ECCN: 9E991