

TITLE

LIGHTS - LED LOGO LIGHT INSTALLATION OPTION

EFFECTIVITY**MODEL**

680A (Citation Latitude)

SERIAL NUMBERS

-0001 thru -0246

The equivalent of this service document has been incorporated on production airplanes -0247 and On.

REASON

To provide an option to install an LED tail floodlight.

DESCRIPTION

This service bulletin provides parts and instructions for a wiring mod and LED light installation for the tail floodlights.

COMPLIANCE

OPTIONAL. This service document can be accomplished at the discretion of the owner.

A service document published by Textron Aviation may be recorded as *completed* in an aircraft log only when the following requirements are satisfied:

- 1) The mechanic must complete all of the instructions in the service document, including the intent therein.
- 2) The mechanic must correctly use and install all applicable parts supplied with the service document kit. Only with written authorization from Textron Aviation can substitute parts or rebuilt parts be used to replace new parts.
- 3) The mechanic or airplane owner must use the technical data in the service document only as approved and published.
- 4) The mechanic or airplane owner must apply the information in the service document only to aircraft serial numbers identified in the *Effectivity* section of the document.
- 5) The mechanic or airplane owner must use maintenance practices that are identified as acceptable standard practices in the aviation industry and governmental regulations.

No individual or corporate organization other than Textron Aviation is authorized to make or apply any changes to a Textron Aviation-issued service document or flight manual supplement without prior written consent from Textron Aviation.

Textron Aviation is not responsible for the quality of maintenance performed to comply with this document, unless the maintenance is accomplished at a Textron Aviation-owned Service Center.

APPROVAL

Textron Aviation received FAA approval for the technical data in this publication that changes the airplane type design.

FLIGHT CREW OPERATIONS

No Changes

September 23, 2020

SB680A-33-01
Page 1 of 8

Textron Aviation Customer Service, P.O. Box 7706, Wichita, KS 67277, U.S.A. 1-316-517-5800

This document contains technical data and is subject to U.S. export regulations. This information has been exported from the United States in accordance with export administration regulations. Diversion contrary to U.S. law is prohibited. ECCN: 9E991

CONSUMABLE MATERIAL

No specialized consumable materials are required to complete this service document.

TOOLING

No specialized tooling is required to complete this service document.

WEIGHT AND BALANCE INFORMATION

Negligible

REFERENCES

Cessna Model 680A Maintenance Manual

Citation Standard Practices Manual

Cessna Model 680A Wiring Diagram Manual

PUBLICATIONS AFFECTED

Cessna Model 680A Wiring Diagram Manual

ACCOMPLISHMENT INSTRUCTIONS

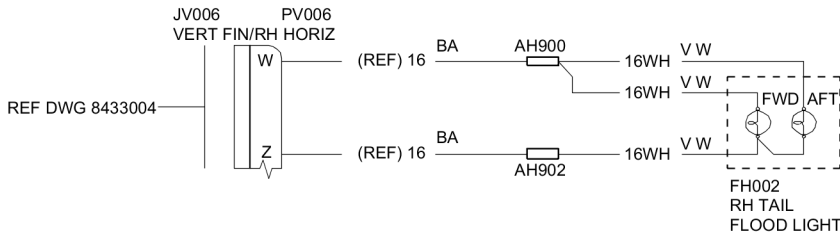
1. Prepare the airplane for maintenance.
 - A. Make sure that the airplane is electrically grounded.
 - B. Make sure that all switches are in the OFF/NORM position.
 - C. Disconnect electrical power from the airplane.
 - (1) Disconnect the airplane batteries.
 - (2) Disconnect external electrical power.
 - D. Attach maintenance warning tags to the batteries and external power receptacle that have **"DO NOT CONNECT ELECTRICAL POWER - MAINTENANCE IN PROGRESS"** written on them.
2. Remove and discard the left and right tail floodlight and gasket. Keep the attaching hardware. (Refer to the Model 680A Maintenance Manual, Chapter 33, Tail Floodlight - Removal/Installation.)
3. (Refer to Figure 1, Sheet 1 and Sheet 2.) Modify the wiring. (Refer to the Citation Standard Practices Manual, Chapter 20, Splices, Terminals and Heat Shrinkable Tubing - Maintenance Practices.)
 - A. Cut the M22759/8-20-9 electrical wire to the correct length and install the electrical wire from the M81824/1-2 Splice at AH900 to the SJS720110 Yellow Plug at PH900 with one M39029/56-351 Contact.
 - B. Cut the M22759/8-20-9 electrical wire to the correct length and install the electrical wire from the M81824/1-2 Splice at AH902 to the SJS720200 Green Receptacles at JH902 with one M39029/58-363 Contact Pin.
 - C. Cut the M22759/8-20-9 electrical wire to the correct length and install the electrical wire from the M81824/1-2 Splice at AH901 to the SJS720110 Yellow Plug at PH901 with one M39029/56-363 Contact.
 - D. Cut the M22759/8-20-9 electrical wire to the correct length and install the electrical wire from the M81824/1-2 Splice at AH903 to the SJS720200 Green Receptacles at JH902 with one M39029/58-351 Contact.
4. (Refer to Figure 2, View A-A.) Install the new 50033225-3 Left Tail Floodlight and 50033225-4 Right Tail Floodlight with the kept hardware. (Refer to the Model 680A Maintenance Manual, Chapter 33, Tail Floodlight - Removal/Installation.)

5. (Refer to Figure 3, Detail A and View A-A.) Install a new S2899-5.0 Circuit Breaker in the right J-Box. (Refer to the Model 680A Maintenance Manual, Chapter 24, DC Power Junction Box - Maintenance Practices.)
 - A. Remove and discard the current TAIL FLOOD LTS (HT231) S2899-15.0 Circuit Breaker from the right j-box. (Refer to the Model 680A Maintenance Manual, Chapter 24, DC Power Junction Box - Maintenance Practices.)
 - B. Install a new S2899-5.0 Circuit Breaker TAIL FLOOD LTS (HT231) in the right J-box. (Refer to the Model 680A Maintenance Manual, Chapter 24, DC Power Junction Box - Maintenance Practices.)
6. Remove the maintenance warning tags and connect the airplane batteries.
7. Do a tail floodlights operational check. (Refer to the Model 680A Maintenance Manual, Chapter 33, Exterior Lighting - Adjustment/Test.)
8. Make an entry in the airplane logbook that states compliance and method of compliance with this service document.

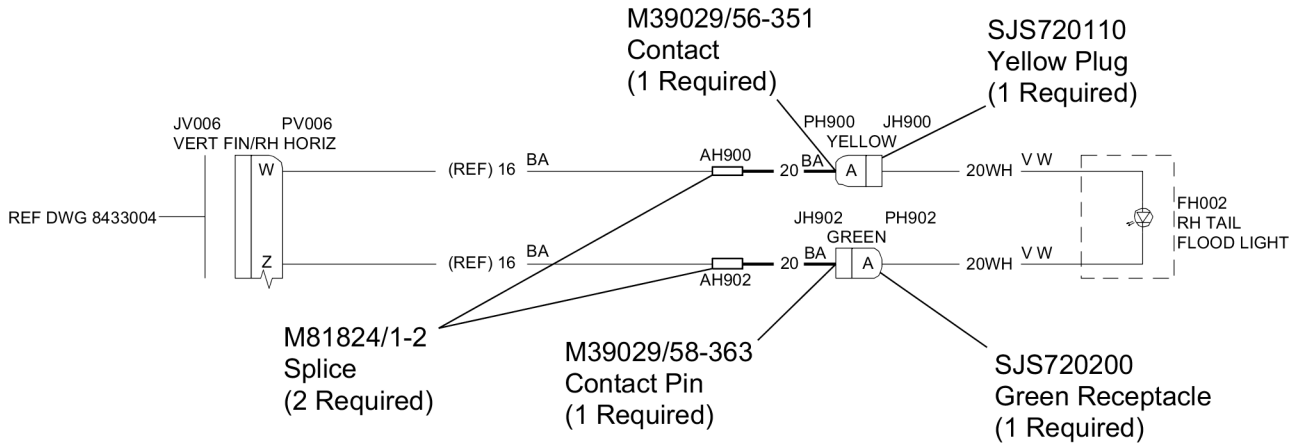
NOTE: Textron Aviation recommends that compliance with all service documents is reported to Camp Systems International.

- Complete a record of compliance. (Maintenance Transaction Report, Log Book Entry, or other record of compliance.)
- Put a copy of the completed record of compliance in the airplane logbook.
- Send a copy of the completed record of compliance to: Camp Systems International Incorporated, 8201 East 34th Street North, Building 1100 Suite 1101 Wichita, KS 67226.

A107515



Before Modification



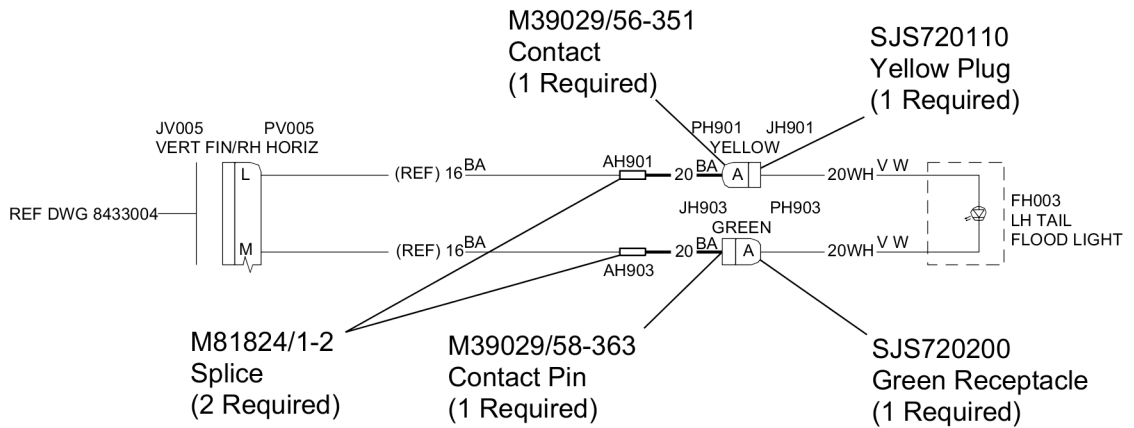
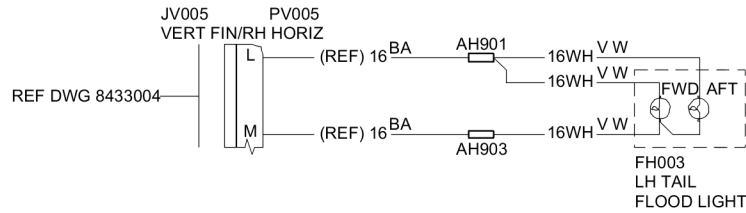
After Modification
 Right Side Wiring Modification

LEGEND	
	EXISTING WIRE
	ADDED WIRE

8490T032-1

Figure 1. Wiring Modification (Sheet 1)

A107516

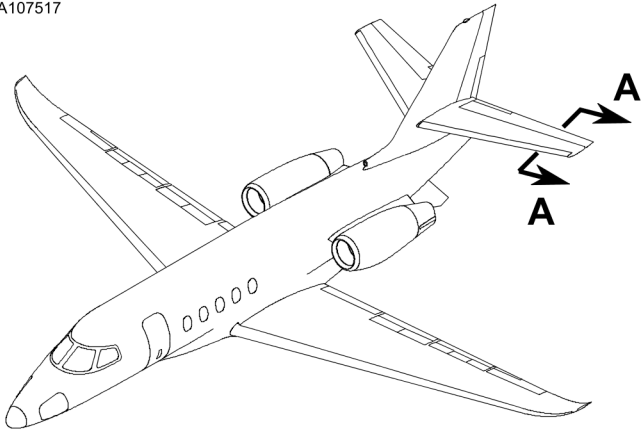


LEGEND	
— — — —	EXISTING WIRE
— — — —	ADDED WIRE

8490T031-1

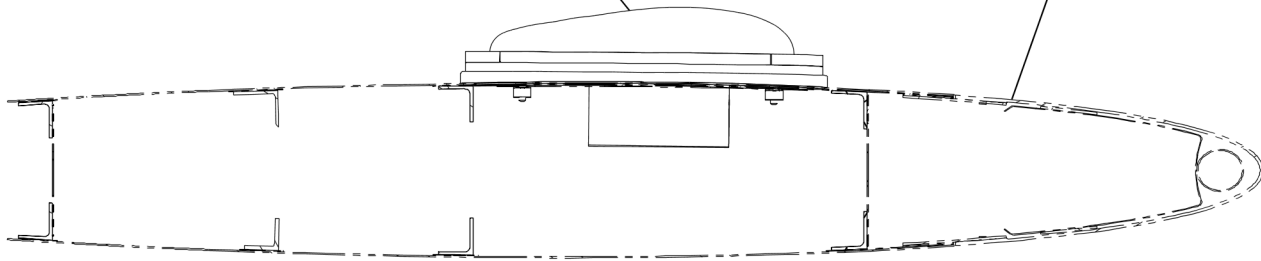
Figure 1. Wiring Modification (Sheet 2)

A107517



50033225-3
Left LED Tail Flood Light
5003325-4
Right LED Tail Flood Light
(1 Each Required)

Vertical Stabilizer
(Reference)



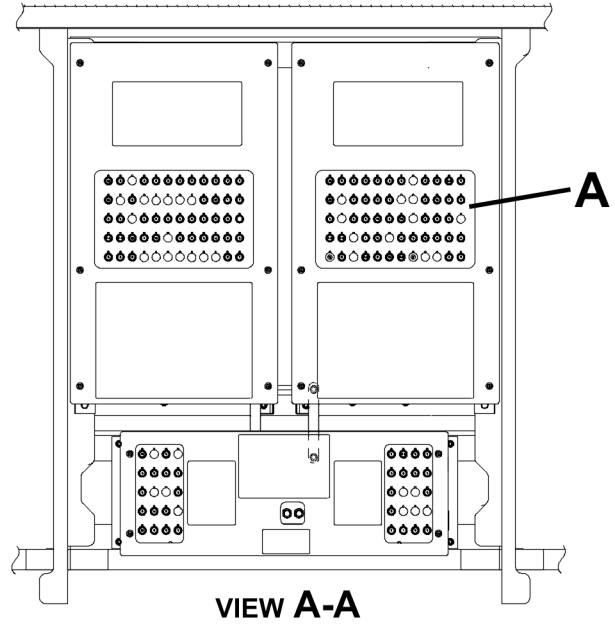
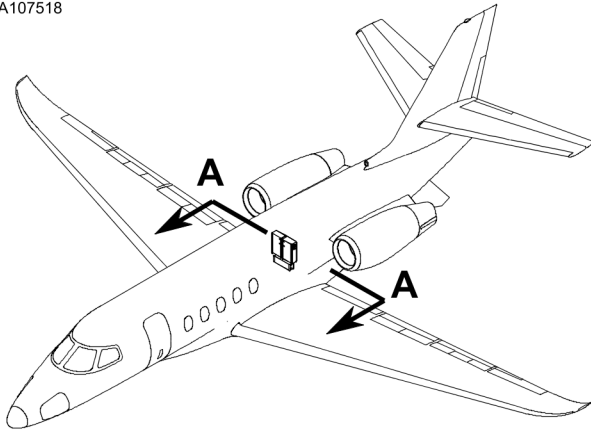
VIEW A-A

Looking Outboard
Left Side Shown
Right Side Opposite

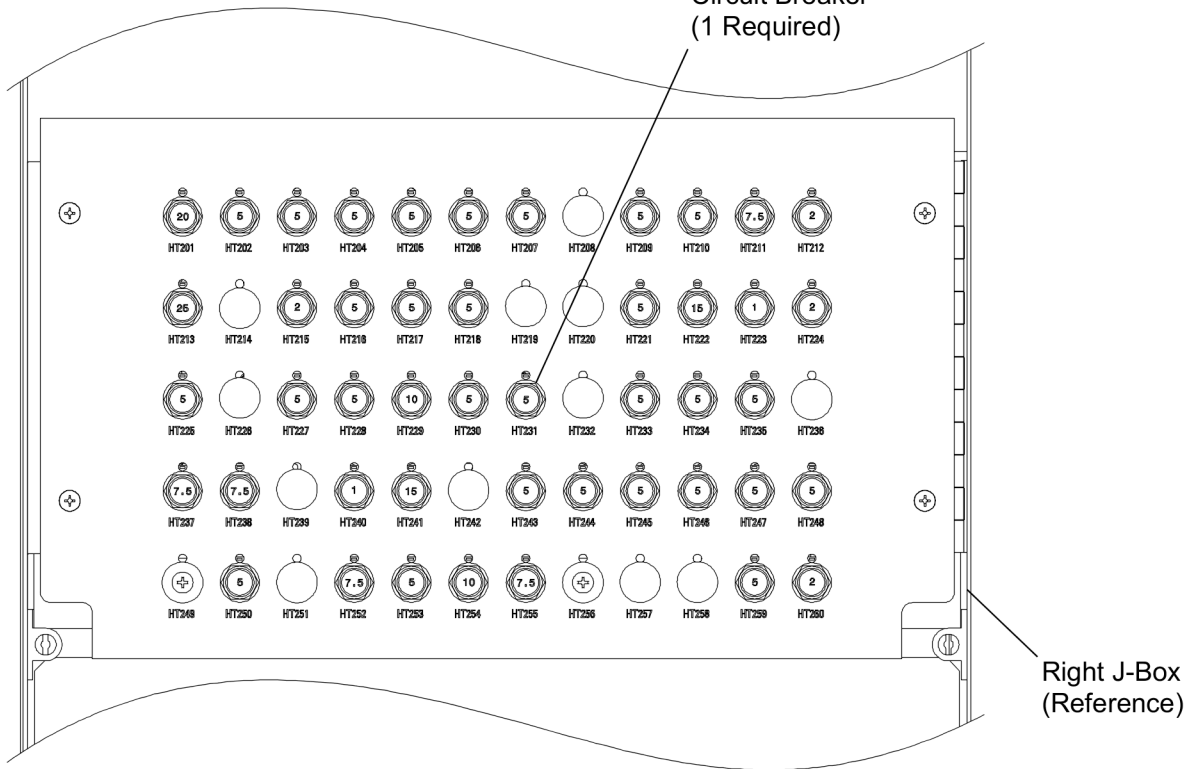
7410T1002
AA6918T503-1

Figure 2. Logo Light Installation (Sheet 1)

A107518



S2899-5.0
Circuit Breaker
(1 Required)



DETAIL A

Figure 3. Circuit Breaker Installation (Sheet 1)

7410T1002
A7418T310-1
AA7418T310-1

MATERIAL INFORMATION

Order the kit/parts below to install this modification.

NEW P/N	QUAN- TITY	KEY WORD	OLD P/N	INSTRUCTIONS/ DISPOSITION
SB680A-33-01-0	1	Kit , consisting of the following parts:		
M22759/8-20-9	36 inches	Electrical Wire	None	
M39029/56-351	2	Contact	None	
M39029/58-363	2	Contact Pin	None	
M81824/1-2	4	Splice	Same	Discard
SJS720110	2	Yellow Plug	None	
S2899-5.0	1	Circuit Breaker	S2899-15.0	Discard
SJS720200	2	Green Receptacle	None	
SB680A-33-01	1	Instructions		

In addition to the above kit, order the kit/parts below to install this modification.

NEW P/N	QUAN- TITY	KEY WORD	OLD P/N	INSTRUCTIONS/ DISPOSITION
SB680A-33-01-1	1	Kit , consisting of the following parts:		
50033225-3	1	Left LED Tail Flood Light	68033004-1	Discard
50033225-4	1	Right LED Tail Flood Light	6803004-2, 68033005-1	Discard

* Please contact Textron Aviation Parts Distribution for current cost and availability of parts listed in this service document. Phone at 1-800-835-4000 (Domestic) or 1-316-517-5603 (International). Send email to: parts@txtav.com.

Based on availability and lead times, parts may require advanced scheduling.

TITLE

LIGHTS - LED LOGO LIGHT INSTALLATION OPTION

TO:

Aircraft Owner

REASON

To provide an option to install an LED tail floodlight.

COMPLIANCE

OPTIONAL. This service document can be accomplished at the discretion of the owner.

LABOR HOURS

For planning purposes only.

WORK PHASE

Modification

LABOR-HOURS

1.5

MATERIAL AVAILABILITY

PART NUMBER	AVAILABILITY	COST
SB680A-33-01-0	*	*
SB680A-33-01-1	*	*

* Please contact Textron Aviation Parts Distribution for current cost and availability of parts listed in this service document. Phone at 1-800-835-4000 (Domestic) or 1-316-517-5603 (International). Send email to: parts@txtav.com.

Based on availability and lead times, parts may require advanced scheduling.

WARRANTY

None

Textron Aviation reserves the right to void continued airplane warranty coverage for the parts affected by this service document until the service document is accomplished.

NOTE: As a convenience, service documents are now available online to all our customers through a simple, free-of-charge registration process. If you would like to sign up, please visit the Customer Access link at www.txtavsupport.com to register.

September 23, 2020

SB680A-33-01
Page 1 of 1

Textron Aviation Customer Service, P.O. Box 7706, Wichita, KS 67277, U.S.A. 1-316-517-5800

This document contains technical data and is subject to U.S. export regulations. This information has been exported from the United States in accordance with export administration regulations. Diversion contrary to U.S. law is prohibited. ECCN: 9E991

