

TITLE

LIGHTS - FERRULE INSTALLATION

EFFECTIVITY**MODEL**

208

SERIAL NUMBERS

20800607 thru 20800658

The equivalent of this service document has been incorporated on production airplanes -00659 and On.

REASON

To install a ferrule to protect the cabin sign assembly wires from chafing.

DESCRIPTION

This service document provides parts and instructions to install a ferrule for wire harness protection.

COMPLIANCE

RECOMMENDED. This service document should be accomplished at a scheduled maintenance period or inspection.

A service document published by Textron Aviation may be recorded as *completed* in an aircraft log only when the following requirements are satisfied:

- 1) The mechanic must complete all of the instructions in the service document, including the intent therein.
- 2) The mechanic must correctly use and install all applicable parts supplied with the service document kit. Only with written authorization from Textron Aviation can substitute parts or rebuilt parts be used to replace new parts.
- 3) The mechanic or airplane owner must use the technical data in the service document only as approved and published.
- 4) The mechanic or airplane owner must apply the information in the service document only to aircraft serial numbers identified in the *Effectivity* section of the document.
- 5) The mechanic or airplane owner must use maintenance practices that are identified as acceptable standard practices in the aviation industry and governmental regulations.

No individual or corporate organization other than Textron Aviation is authorized to make or apply any changes to a Textron Aviation-issued service document or flight manual supplement without prior written consent from Textron Aviation.

Textron Aviation is not responsible for the quality of maintenance performed to comply with this document, unless the maintenance is accomplished at a Textron Aviation-owned Service Center.

REFERENCES

Cessna Model 208 Maintenance Manual

PUBLICATIONS AFFECTED

None

August 10, 2020

CAL-33-01
Page 1 of 4

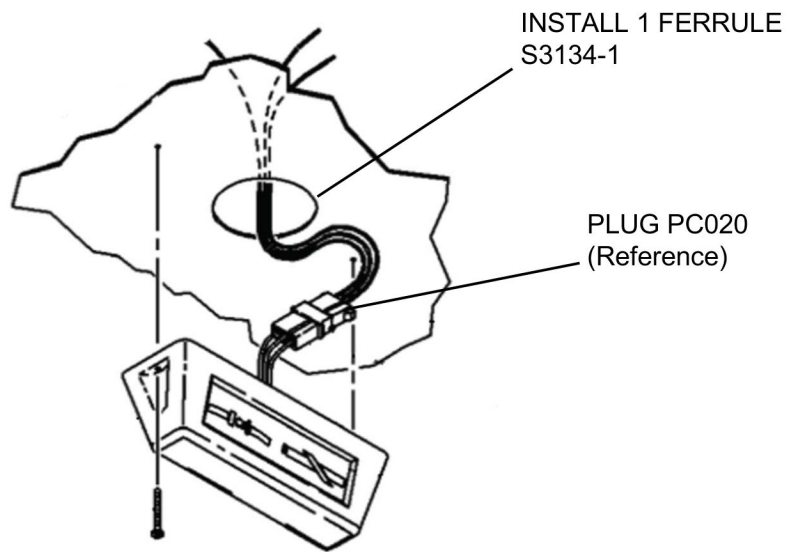
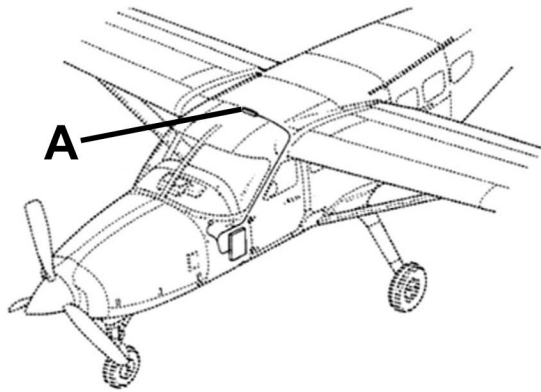
Textron Aviation Customer Service, P.O. Box 7706, Wichita, KS 67277, U.S.A. 1-316-517-5800

This document contains technical data and is subject to U.S. export regulations. This information has been exported from the United States in accordance with export administration regulations. Diversion contrary to U.S. law is prohibited. ECCN: 9E991

ACCOMPLISHMENT INSTRUCTIONS

1. Prepare the airplane for maintenance.
 - A. Make sure that the airplane is electrically grounded.
 - B. Make sure that all switches are in the OFF/NORM position.
 - C. Disconnect electrical power from the airplane.
 - (1) Disconnect external electrical power.
 - (2) Disconnect the airplane battery.
 - D. Attach maintenance warning tags to the battery and external power receptacle that have **"DO NOT CONNECT ELECTRICAL POWER - MAINTENANCE IN PROGRESS"** written on them.
2. Do the steps that follow to install the S3134-1 Ferrule:
 - A. Remove the No Smoking/Fasten Seat Belt Annunciator Warning Panel and keep. (Refer to the Model 208 Maintenance Manual, Chapter 33, Incandescent Passenger/Cargo Compartment Lighting - Maintenance Practices.)
 - B. De-pin electrical connector plug PC020.
 - C. Carefully install the wires through the S3134-1 Ferrule.
 - D. Install the S3134-1 Ferrule in the hole the wires are routed through.
 - E. Re-pin electrical connector plug PC020.
 - F. Install the No Smoking/Fasten Seat Belt Annunciator Warning Panel. (Refer to the Model 208 Maintenance Manual, Chapter 33, Incandescent Passenger/Cargo Compartment Lighting - Maintenance Practices.)
3. Remove the maintenance warning tags and connect the airplane battery.
4. Make an entry in the airplane logbook that states compliance and method of compliance with this service document.

A109353



DETAIL A

Figure 1. Ferrule Installation (Sheet 1)

MATERIAL INFORMATION

Order the part below to install this modification.

NEW P/N	QUAN- TITY	KEY WORD	OLD P/N	INSTRUCTIONS/ DISPOSITION
S3134-1	1	Ferrule		

* Please contact a Textron Aviation Authorized Service Facility for current cost and availability of parts listed in this service document.

TITLE

LIGHTS - FERRULE INSTALLATION

TO:

Cessna Model 208 Aircraft Owner

REASON

To install a ferrule to protect the cabin sign assembly wires from chafing.

COMPLIANCE

RECOMMENDED. This service document should be accomplished at a scheduled maintenance period or inspection.

LABOR HOURS

For planning purposes only:

WORK PHASE	LABOR-HOURS
Modification	1.0

MATERIAL AVAILABILITY

PART NUMBER	AVAILABILITY	COST
S3134-1	*	*

* Please contact a Textron Aviation Authorized Service Facility for current cost and availability of parts listed in this service document.

Based on availability and lead times, parts may require advanced scheduling.

WARRANTY

Eligibility: Airplanes identified within the serial number effectivity of this service document must have active Airframe warranty coverage on the original issue date of this document and the coverage must be active on the day the work is accomplished.

Parts Coverage: Textron Aviation-owned and Textron Aviation-authorized Service Facilities, operators, or other maintenance facilities may submit a claim for the parts required to accomplish this service document as defined in the *Material Availability* section of this document.

Labor Coverage: Textron Aviation-owned and Textron Aviation-authorized Service Facilities rated to perform maintenance on the specific model of Cessna Aircraft may submit a claim for the labor necessary to accomplish this service document as defined in the *Labor Hours* section of this document.

Credit Application: After this service document has been accomplished, a claim must be submitted to Textron Aviation within 30 days of the service document completion. Claims for compliance of this service document are to be filed as a W4 type claim.

Please submit your claim form online at ww2.txtav.com/Parts or email the completed Textron Aviation Claim Form to warranty@txtav.com. If submitted on-line a Return Authorization will be provided. If a paper claim is submitted your claim will be entered into the system and a Return Authorization will be sent to you.

The Return Authorization must accompany any required return parts (see *Material Availability*), to the point of purchase.

Parts to be returned to Textron Aviation Parts Distribution should be forwarded to:

Textron Aviation Parts Distribution
Warranty Administration
285 South Greenwich Road
Bldg B89, Docks 1-4
Wichita, KS 67206
USA

Expiration: August 31, 2021 (after this date the owner/operator assumes the responsibility for compliance costs)

Textron Aviation reserves the right to void continued airplane warranty coverage for the parts affected by this service document until the service document is accomplished.

NOTE: As a convenience, service documents are now available online to all our customers through a simple, free-of-charge registration process. If you would like to sign up, please visit the Customer Access link at www.txtavsupport.com to register.