

TITLE

EQUIPMENT/FURNISHINGS - REPLACEMENT OF THE BAGGAGE COMPARTMENT ACCESS PANEL FASTENERS

EFFECTIVITY**MODEL**

680A (Citation Latitude)

SERIAL NUMBERS

-0101 thru -0165

The equivalent of this service document has been incorporated on production airplanes -0166 and On.

REASON

To replace the fasteners used in the baggage compartment access panel with shorter fasteners.

DESCRIPTION

This service bulletin provides parts and instructions to replace the fasteners used in the baggage compartment access panel assembly.

COMPLIANCE

RECOMMENDED. This service document should be accomplished at a scheduled maintenance period or inspection.

A service document published by Textron Aviation may be recorded as *completed* in an aircraft log only when the following requirements are satisfied:

- 1) The mechanic must complete all of the instructions in the service document, including the intent therein.
- 2) The mechanic must correctly use and install all applicable parts supplied with the service document kit. Only with written authorization from Textron Aviation can substitute parts or rebuilt parts be used to replace new parts.
- 3) The mechanic or airplane owner must use the technical data in the service document only as approved and published.
- 4) The mechanic or airplane owner must apply the information in the service document only to aircraft serial numbers identified in the *Effectivity* section of the document.
- 5) The mechanic or airplane owner must use maintenance practices that are identified as acceptable standard practices in the aviation industry and governmental regulations.

No individual or corporate organization other than Textron Aviation is authorized to make or apply any changes to a Textron Aviation-issued service document or flight manual supplement without prior written consent from Textron Aviation.

Textron Aviation is not responsible for the quality of maintenance performed to comply with this document, unless the maintenance is accomplished at a Textron Aviation-owned Service Center.

APPROVAL

Textron Aviation received FAA approval for the technical data in this publication that changes the airplane type design.

FLIGHT CREW OPERATIONS

No Changes

June 18, 2020

SB680A-25-12
Page 1 of 5

Textron Aviation Customer Service, P.O. Box 7706, Wichita, KS 67277, U.S.A. 1-316-517-5800

This document contains technical data and is subject to U.S. export regulations. This information has been exported from the United States in accordance with export administration regulations. Diversion contrary to U.S. law is prohibited. ECCN: 9E991

CONSUMABLE MATERIAL

No specialized consumable materials are required to complete this service document.

TOOLING

No specialized tooling is required to complete this service document.

WEIGHT AND BALANCE INFORMATION

Negligible

REFERENCES

Cessna Model 680A Maintenance Manual

PUBLICATIONS AFFECTED

Cessna Model 680A Illustrated Parts Catalog

ACCOMPLISHMENT INSTRUCTIONS

1. Prepare the airplane for maintenance.
 - A. Make sure that the airplane is electrically grounded.
 - B. Make sure that all switches are in the OFF/NORM position.
 - C. Disconnect electrical power from the airplane.
 - (1) Disconnect the airplane battery.
 - (2) Disconnect external electrical power.
 - D. Attach maintenance warning tags to the battery and external power receptacle that have **"DO NOT CONNECT ELECTRICAL POWER - MAINTENANCE IN PROGRESS"** written on them.
2. If necessary, open the baggage compartment door.
3. If necessary, remove the carpet from the baggage compartment. (Refer to Cessna Model 680A Interiors Manual, Chapter 20, Cargo Compartment.)
4. (Refer to Figure 1, Detail A.) Replace the eight S1115-76 Turn Studs on the forward baggage compartment access panel as follows:
 - A. Open the left and right upper access panels located on the forward baggage compartment access panel.
 - (1) Remove four S1115-9 Rings and S1115-76 Turn Studs from the left and right upper access panels. Discard the rings and fasteners.
 - (2) Install four S1115-72 Turn Studs and S1115-9 Rings in the left and right upper access panels.
 - (3) Close the left and right upper access panels.
 - B. Open the left and right lower forward access panels located on the forward baggage compartment access panel.
 - (1) Remove four S1115-9 Rings and S1115-76 Turn Studs from the left and right lower access panels. Discard the rings and fasteners.
 - (2) Install four S1115-72 Turn Studs and S1115-9 Rings in the left and right lower access panels.
 - (3) Close the left and right lower access panels.
5. If necessary, install the carpet in the baggage compartment. (Refer to Cessna Model 680A Interiors Manual, Chapter 20, Cargo Compartment.)
6. Remove the maintenance warning tags and connect the airplane battery.

7. Make an entry in the airplane logbook that states compliance and method of compliance with this service document.

NOTE: Textron Aviation recommends that compliance with all service documents is reported to a maintenance tracking system provider.

- Complete a record of compliance. (Maintenance Transaction Report, Log Book Entry, or other record of compliance.)
- Put a copy of the completed record of compliance in the airplane logbook.
- Send a copy of the completed record of compliance to the maintenance tracking system provider used.

A109165

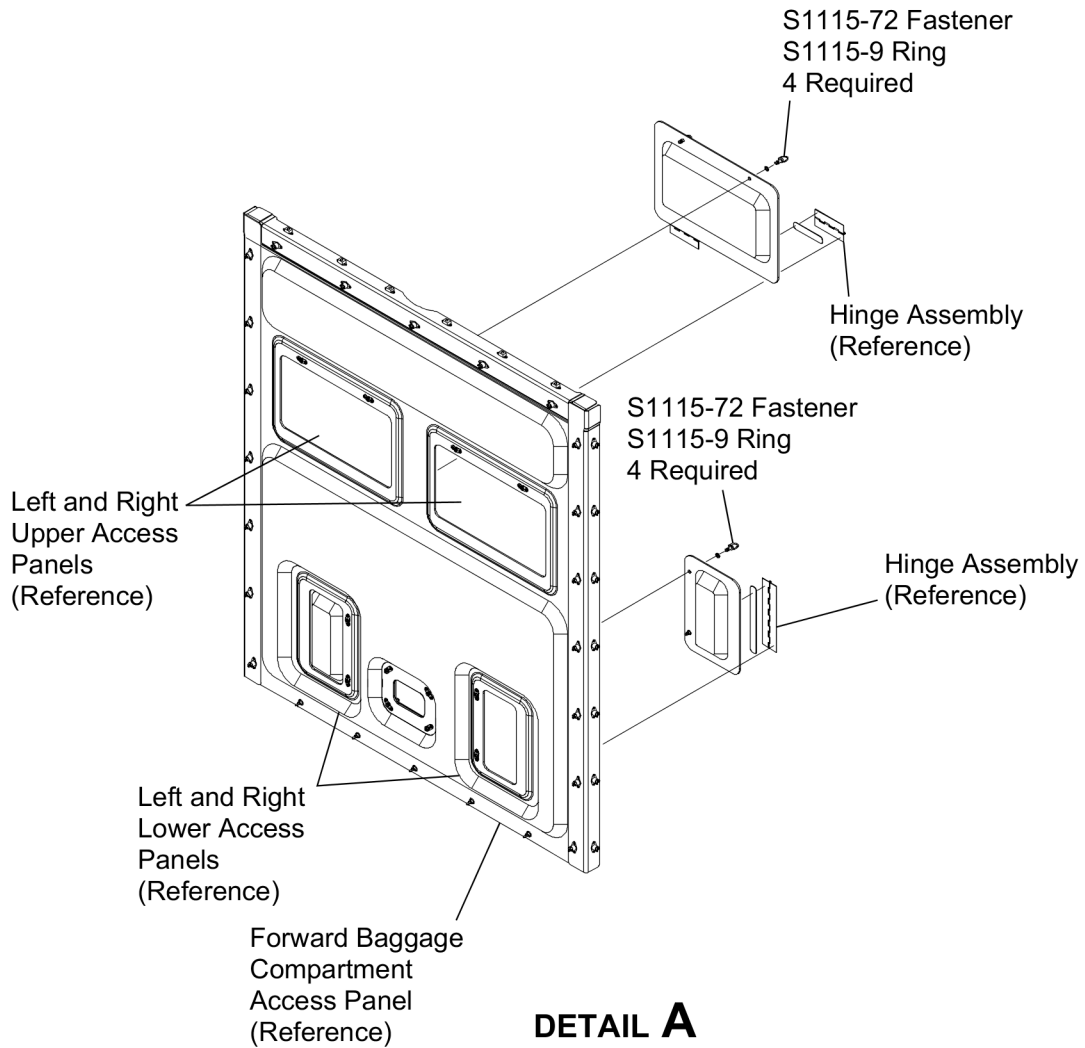
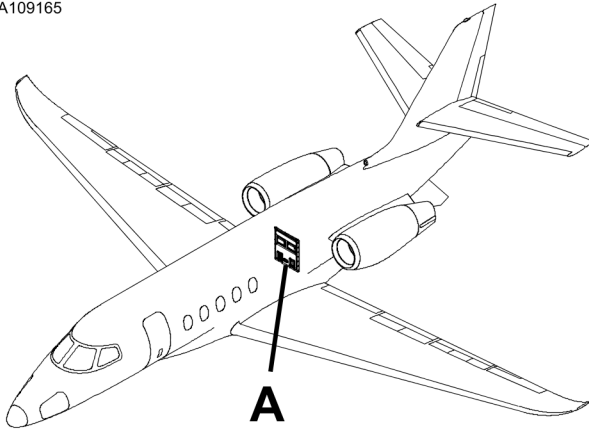


Figure 1. (Sheet 1)

7410T1002
A7412T202-1
B7412T208-1

MATERIAL INFORMATION

Order the kit/parts below to install this modification.

NEW P/N	QUANTITY	KEY WORD	OLD P/N	INSTRUCTIONS/ DISPOSITION
SB680A-25-12	1	Kit , consisting of the following parts:		
S1115-9	8	Ring	S1115-9	Discard
S1115-72	8	Turn Stud	S1115-76	Discard
SB	1	Instructions		

* Please contact Textron Aviation Parts Distribution for current cost and availability of parts listed in this service document. Phone at 1-800-835-4000 (Domestic) or 1-316-517-5603 (International). Send email to: parts@txtav.com.

Based on availability and lead times, parts may require advanced scheduling.

TITLE

EQUIPMENT/FURNISHINGS - REPLACEMENT OF THE BAGGAGE COMPARTMENT ACCESS PANEL FASTENERS

TO:

Cessna Model 680A Aircraft Owner

REASON

To replace the fasteners used in the baggage compartment access panel with shorter fasteners.

COMPLIANCE

RECOMMENDED. This service document should be accomplished at a scheduled maintenance period or inspection.

LABOR HOURS

WORK PHASE	LABOR-HOURS
Modification	1.5
Inspection	.5

MATERIAL AVAILABILITY

Order the kit below to complete this service document.

PART NUMBER	AVAILABILITY	COST
SB680A-25-12	*	*

* Please contact Textron Aviation Parts Distribution for current cost and availability of parts listed in this service document. Phone at 1-800-835-4000 (Domestic) or 1-316-517-5603 (International). Send email to: parts@txtav.com.

Based on availability and lead times, parts may require advanced scheduling.

WARRANTY

This service document is *recommended*. Eligible airplanes may qualify for parts and labor coverage to the extent noted in the *Labor Hours* and *Material Availability* sections of this document.

June 18, 2020

SB680A-25-12
Page 1 of 2

Textron Aviation Customer Service, P.O. Box 7706, Wichita, KS 67277, U.S.A. 1-316-517-5800

This document contains technical data and is subject to U.S. export regulations. This information has been exported from the United States in accordance with export administration regulations. Diversion contrary to U.S. law is prohibited. ECCN: 9E991

Eligibility: Airplanes identified within the serial number effectivity of this service document must have active Airframe warranty coverage on the original issue date of this document and the coverage must be active on the day the work is accomplished.

Parts Coverage: Textron Aviation-owned and Textron Aviation-authorized Service Facilities, operators, or other maintenance facilities may submit a claim for the parts required to accomplish this service document as defined in the *Material Availability* section of this document.

Labor Coverage: Textron Aviation-owned and Textron Aviation-authorized Service Facilities rated to perform maintenance on the specific model of Cessna Aircraft may submit a claim for the labor necessary to accomplish this service document as defined in the *Labor Hours* section of this document.

Credit Application: After this service document has been accomplished, a claim must be submitted to Textron Aviation within 30 days of the service document completion. Claims for compliance of this service document are to be filed as a W4 type claim.

Please submit your claim form online at ww2.txtav.com/Parts or email the completed Textron Aviation Claim Form to warranty@txtav.com. If submitted on-line a Return Authorization will be provided. If a paper claim is submitted your claim will be entered into the system and a Return Authorization will be sent to you.

The Return Authorization must accompany any required return parts (see *Material Availability*), to the point of purchase.

Parts to be returned to Textron Aviation Parts Distribution should be forwarded to:

Textron Aviation Parts Distribution
Warranty Administration
285 South Greenwich Road
Bldg B89, Docks 1-4
Wichita, KS 67206
USA

Expiration: June 30, 2022 (after this date the owner/operator assumes the responsibility for compliance costs)

Textron Aviation reserves the right to void continued airplane warranty coverage for the parts affected by this service document until the service document is accomplished.

NOTE: As a convenience, service documents are now available online to all our customers through a simple, free-of-charge registration process. If you would like to sign up, please visit the Customer Access link at www.txtavsupport.com to register.