

TITLE

AIR CONDITIONING - FORWARD EVAPORATOR MOTOR ASSEMBLY INSPECTION

EFFECTIVITY

MODEL	SERIAL NUMBERS
Model 525B (CJ3+)	-0590 thru -0599

REASON

The forward evaporator blower motor assembly may exhibit intermittent speed control if operated in low speed for a sustained period of time. Continued operation may cause the motor assembly to stop.

DESCRIPTION

This service letter provides parts and instructions to inspect the motor assembly for suspect serial number and replace if found.

COMPLIANCE

RECOMMENDED. This service bulletin should be accomplished at a scheduled maintenance period or inspection.

A service bulletin published by Textron Aviation may be recorded as *completed* in an aircraft log only when the following requirements are satisfied:

- 1) The mechanic must complete all of the instructions in the service bulletin, including the intent therein.
- 2) The mechanic must correctly use and install all applicable parts supplied with the service bulletin kit. Only with written authorization from Textron Aviation can substitute parts or rebuilt parts be used to replace new parts.
- 3) The mechanic or airplane owner must use the technical data in the service bulletin only as approved and published.
- 4) The mechanic or airplane owner must apply the information in the service bulletin only to aircraft serial numbers identified in the *Effectivity* section of the bulletin.
- 5) The mechanic or airplane owner must use maintenance practices that are identified as acceptable standard practices in the aviation industry and governmental regulations.

No individual or corporate organization other than Textron Aviation is authorized to make or apply any changes to a Textron Aviation-issued service bulletin, service letter, or flight manual supplement without prior written consent from Textron Aviation.

Textron Aviation is not responsible for the quality of maintenance performed to comply with this document, unless the maintenance is accomplished at a Textron Aviation-owned Service Center.

APPROVAL

Textron Aviation received FAA approval for the technical data in this publication that changes the airplane type design.

FLIGHT CREW OPERATIONS

No Changes

May 20, 2020

SL525B-21-07
Page 1 of 5

Textron Aviation Customer Service, P.O. Box 7706, Wichita, KS 67277, U.S.A. 1-316-517-5800

This document contains technical data and is subject to U.S. export regulations. This information has been exported from the United States in accordance with export administration regulations. Diversion contrary to U.S. law is prohibited. ECCN: 9E991

CONSUMABLE MATERIAL

No specialized consumable materials are required to complete this service document.

TOOLING

No specialized tooling is required to complete this service document.

WEIGHT AND BALANCE INFORMATION

Negligible

REFERENCES

Cessna Model 525B Maintenance Manual

Cessna Model 525B Illustrated Parts Catalog

Cessna Model 525B Interior Maintenance Manual and Illustrated Parts Catalog

Enviro Systems Incorporated, Operating, Servicing, and Component Maintenance Manual, with Illustrated Parts List, Cessna 525 A/B (CJ 2/3)

PUBLICATIONS AFFECTED

None

ACCOMPLISHMENT INSTRUCTIONS

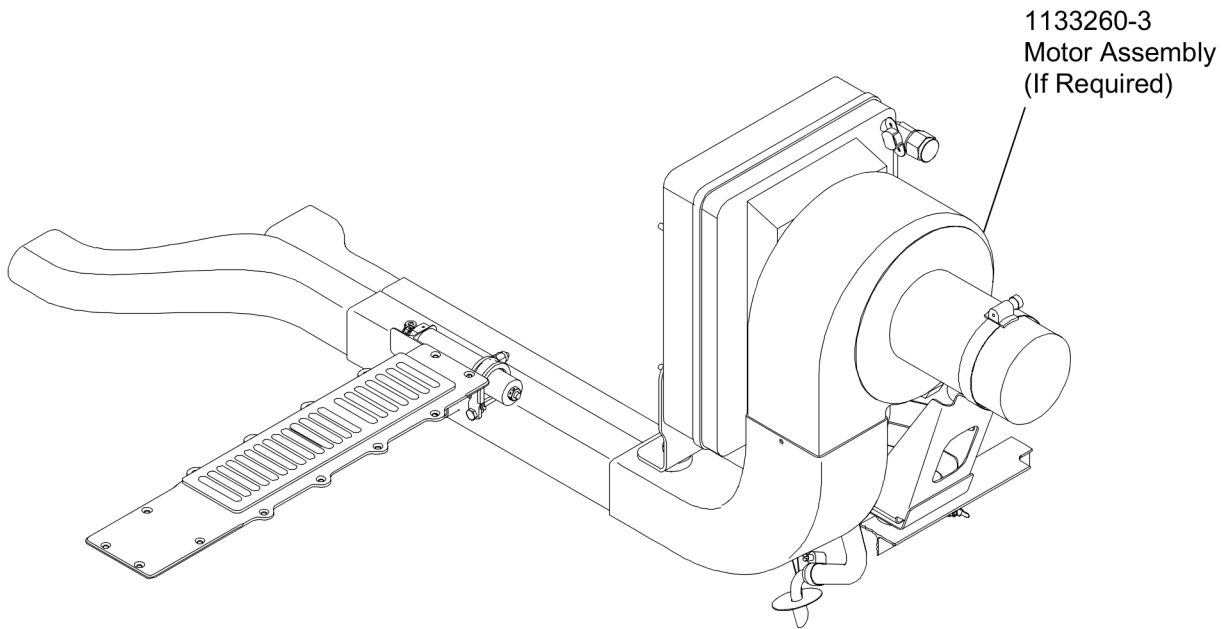
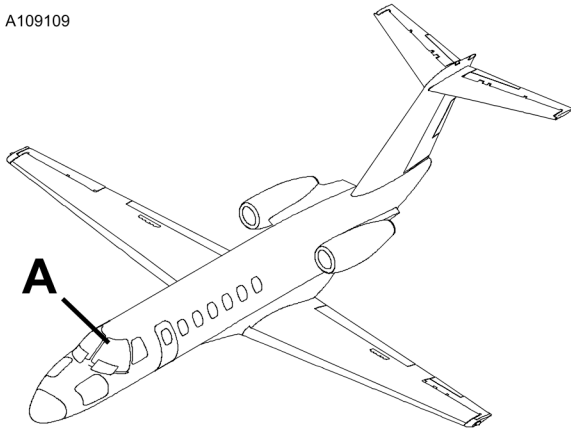
1. Prepare the airplane for maintenance.
 - A. Make sure that the airplane is electrically grounded.
 - B. Make sure that all switches are in the OFF/NORM position.
 - C. Disengage the FWD EVAP FAN and AFT EVAP FAN circuit breakers, found on the left circuit breaker panel.
 - D. Disconnect electrical power from the airplane.
 - (1) Disconnect external electrical power.
 - (2) Disconnect the airplane battery.
 - E. Attach maintenance warning tags to the battery and external power receptacle that have **"DO NOT CONNECT ELECTRICAL POWER - MAINTENANCE IN PROGRESS"** written on them.
2. Remove the left forward evaporator cabinet to get access to the forward evaporator. (Refer to the Model 525B Interior Maintenance Manual, and Model 525B Illustrated Parts Catalog, Chapter 25, Equipment/Furnishings.)
3. Do an inspection of the serial number on the 1133260-3 Motor Assembly.
 - A. If the Enviro serial number of the 1133260-3 Motor Assembly is not in the serial range of 313 thru 336 or 341 and 342, no further action is required. Go to Step 6.
 - B. If the Enviro serial number of the 1133260-3 Motor Assembly is in the serial range of 313 thru 336 or 341 and 342, replace the 1133260-3 Motor Assembly. Go to Step 4.
4. Remove the 1133260-3 Motor Assembly and return it to Textron Aviation for exchange. (Refer to the Enviro Systems Incorporated, Operating, Servicing, and Component Maintenance Manual, Section 5 for removal.)
5. Install the new 1133260-3 Motor Assembly. (Refer to the Enviro Systems Incorporated, Operating, Servicing, and Component Maintenance Manual, Section Section 9 for installation.)
6. Install the left forward evaporator cabinet. (Refer to the Model 525B Interior Maintenance Manual, and Model 525B Illustrated Parts Catalog, Chapter 25, Equipment/Furnishings.)
7. Remove the maintenance warning tags and connect the airplane battery.

8. Engage the FWD EVAP FAN and AFT EVAP FAN circuit breakers, found on the left circuit breaker panel.
9. Do a check on the air conditioning system to check the operation of the 1133260-3 Motor Assembly.
10. Make an entry in the airplane logbook that states compliance and method of compliance with this service document.

NOTE: Textron Aviation recommends that compliance with all service documents is reported to a maintenance tracking system provider.

- Complete a record of compliance. (Maintenance Transaction Report, Log Book Entry, or other record of compliance.)
- Put a copy of the completed record of compliance in the airplane logbook.
- Send a copy of the completed record of compliance to the maintenance tracking system provider used.

A109109



DETAIL A

Figure 1. Forward Evaporator Assembly (Sheet 1)

6310T1072
A6314T1418

MATERIAL INFORMATION

It may be necessary to order the following part.

NEW P/N	QUAN- TITY	KEY WORD	OLD P/N	INSTRUCTIONS/ DISPOSITION
1133260-3	1 As Necessary	Motor Assembly	Same	Return to Textron Aviation for exchange

The existing 1133260-3 Motor Assembly may be returned to Textron Aviation Parts Distribution, Warranty Administration, 285 South Greenwich Road, Bldg B89, Docks 1-4, Wichita, KS 67206, USA, and exchanged for an upgraded unit. Due to limited availability, advance scheduling is required, please expedite the return of the removed part.

* Please contact Textron Aviation Parts Distribution for current cost and availability of parts listed in this service document. Phone at 1-800-835-4000 (Domestic) or 1-316-517-5603 (International). Send email to: parts@txtav.com.

TITLE

AIR CONDITIONING - FORWARD EVAPORATOR MOTOR ASSEMBLY INSPECTION

TO:

Cessna Model 525B (CJ3+) Owner

REASON

The forward evaporator blower motor assembly may exhibit intermittent speed control if operated in low speed for a sustained period of time. Continued operation may cause the motor assembly to stop.

COMPLIANCE

RECOMMENDED. This service bulletin should be accomplished at a scheduled maintenance period or inspection.

LABOR HOURS

WORK PHASE	LABOR-HOURS
Test and Inspection	0.5
Modification	3.0

MATERIAL AVAILABILITY

PART NUMBER	AVAILABILITY	COST
1133260-3	*	*

The existing 1133260-3 Motor Assembly may be returned to Textron Aviation Parts Distribution, Warranty Administration, 285 South Greenwich Road, Bldg B89, Docks 1-4, Wichita, KS 67206, USA, and exchanged for an upgraded unit. Due to limited availability, advance scheduling is required, please expedite the return of the removed part.

* Please contact Textron Aviation Parts Distribution for current cost and availability of parts listed in this service document. Phone at 1-800-835-4000 (Domestic) or 1-316-517-5603 (International). Send email to: parts@txtav.com.

In cases where the required part(s) are approved as exchange, order the exchange part and, upon completion, expedite the return of the removed part to avoid return penalties. Contact the Textron Aviation Parts Distribution Sales Desk for availability of exchange parts.

WARRANTY

This service document is *recommended*. Eligible airplanes may qualify for parts and labor coverage to the extent noted in the *Labor Hours* and *Material Availability* sections of this document.

May 20, 2020

SL525B-21-07
Page 1 of 2

Textron Aviation Customer Service, P.O. Box 7706, Wichita, KS 67277, U.S.A. 1-316-517-5800

This document contains technical data and is subject to U.S. export regulations. This information has been exported from the United States in accordance with export administration regulations. Diversion contrary to U.S. law is prohibited. ECCN: 9E991

Eligibility: Airplanes identified within the serial number effectivity of this service document must have active Airframe warranty coverage on the original issue date of this document and the coverage must be active on the day the work is accomplished.

Parts Coverage: Textron Aviation-owned and Textron Aviation-authorized Service Facilities, operators, or other maintenance facilities may submit a claim for the parts required to accomplish this service document as defined in the *Material Availability* section of this document.

Labor Coverage: Textron Aviation-owned and Textron Aviation-authorized Service Facilities rated to perform maintenance on the specific model of Cessna Aircraft may submit a claim for the labor necessary to accomplish this service document as defined in the *Labor Hours* section of this document.

Credit Application: After this service document has been accomplished, a claim must be submitted to Textron Aviation within 30 days of the service document completion. Claims for compliance of this service document are to be filed as a W4 type claim.

Please submit your claim form online at ww2.txtav.com/Parts or email the completed Textron Aviation Claim Form to warranty@txtav.com. If submitted on-line a Return Authorization will be provided. If a paper claim is submitted your claim will be entered into the system and a Return Authorization will be sent to you.

The Return Authorization must accompany any required return parts (see *Material Availability*), to the point of purchase.

Parts to be returned to Textron Aviation Parts Distribution should be forwarded to:

Textron Aviation Parts Distribution
Warranty Administration
285 South Greenwich Road
Bldg B89, Docks 1-4
Wichita, KS 67206
USA

Expiration: May 31, 2022 (after this date the owner/operator assumes the responsibility for compliance costs)

Textron Aviation reserves the right to void continued airplane warranty coverage for the parts affected by this service document until the service document is accomplished.

NOTE: As a convenience, service documents are now available online to all our customers through a simple, free-of-charge registration process. If you would like to sign up, please visit the Customer Access link at www.txtavsupport.com to register.